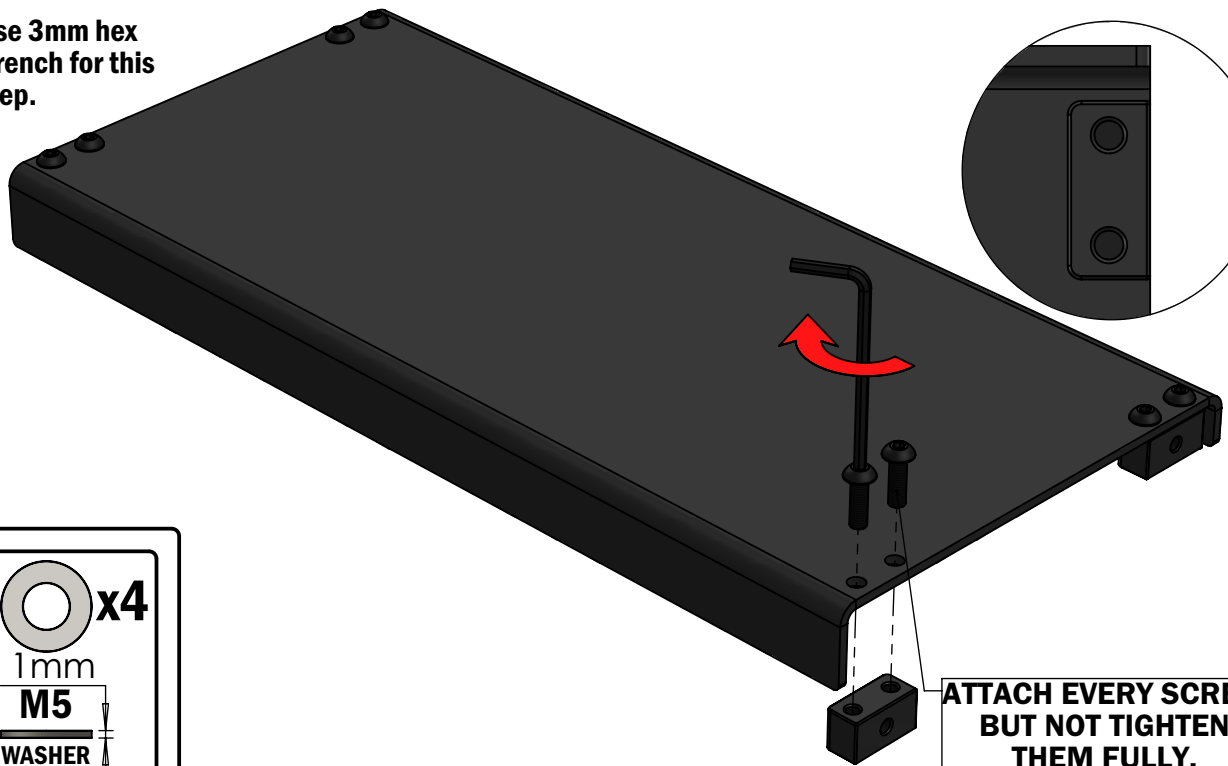
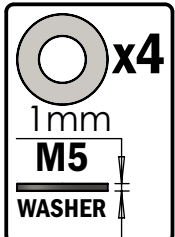
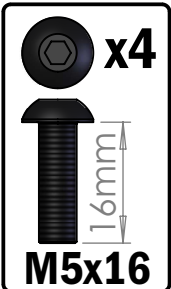


Use 3mm hex wrench for this step.

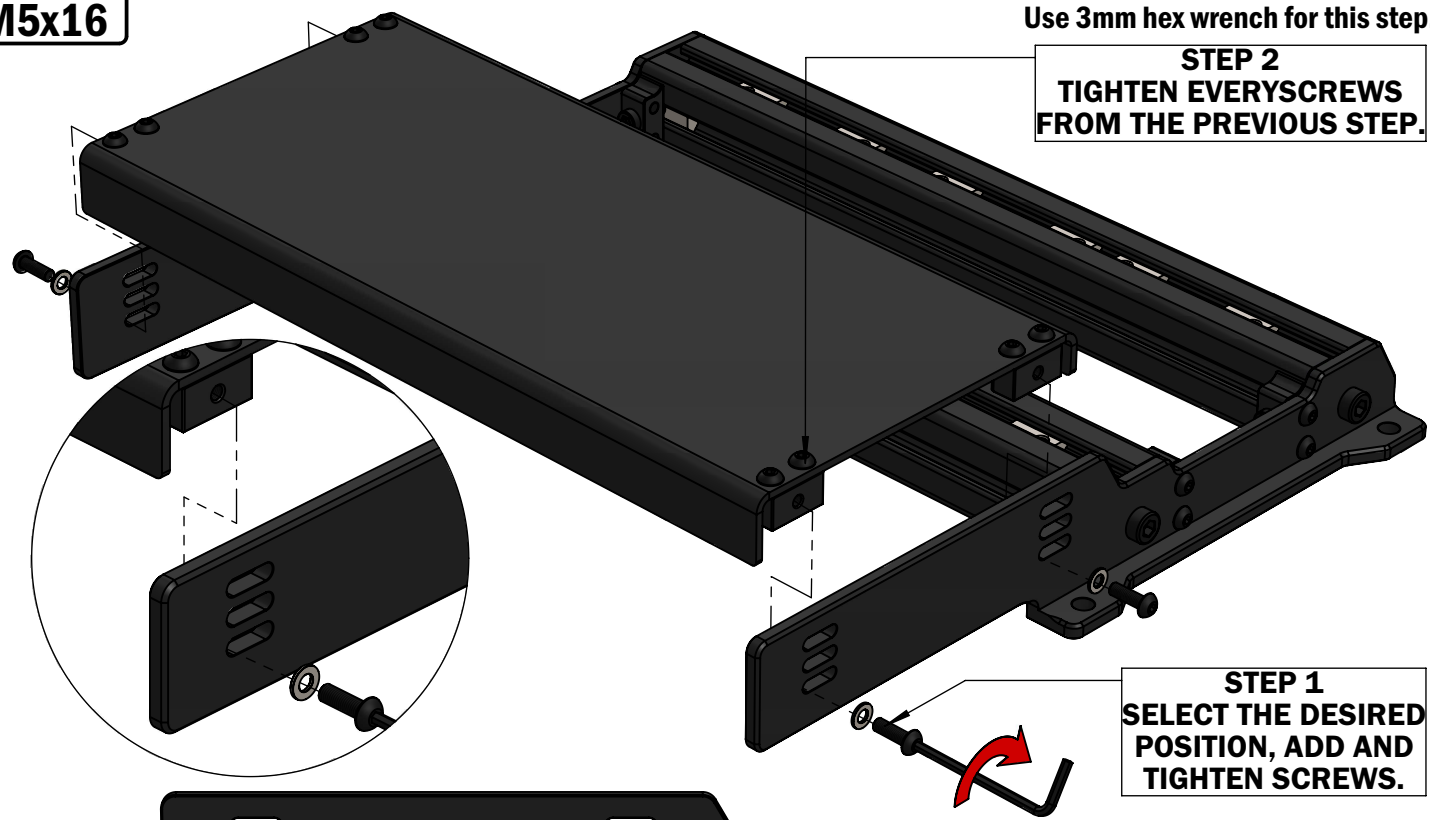


**ATTACH EVERY SCREW BUT NOT TIGHTEN THEM FULLY.**



Use 3mm hex wrench for this step.

**STEP 2**  
**TIGHTEN EVERYSCREWS FROM THE PREVIOUS STEP.**



**STEP 1**  
**SELECT THE DESIRED POSITION, ADD AND TIGHTEN SCREWS.**

