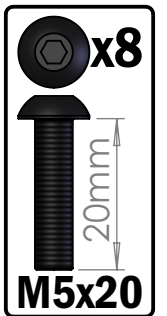
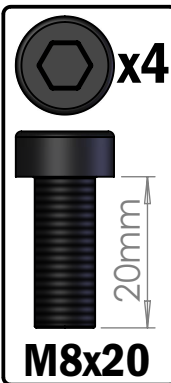
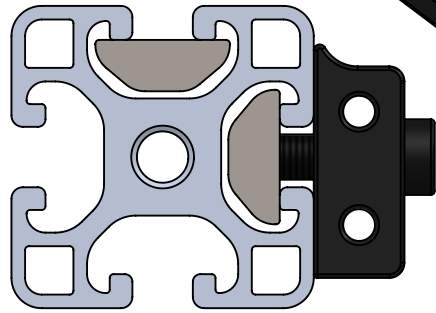
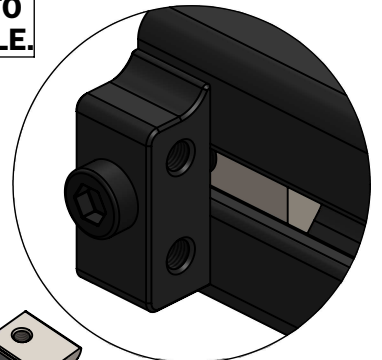
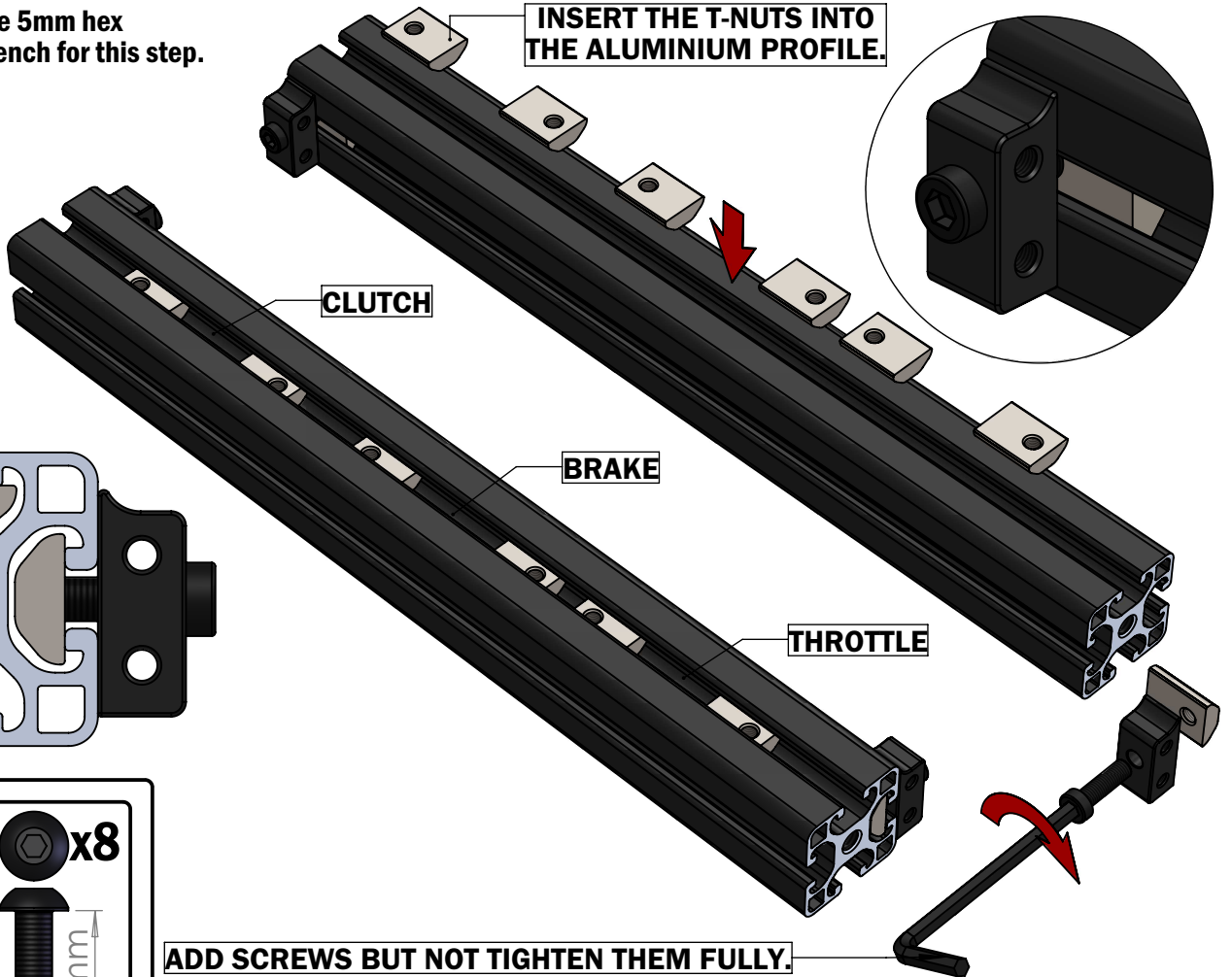


Use 5mm hex wrench for this step.

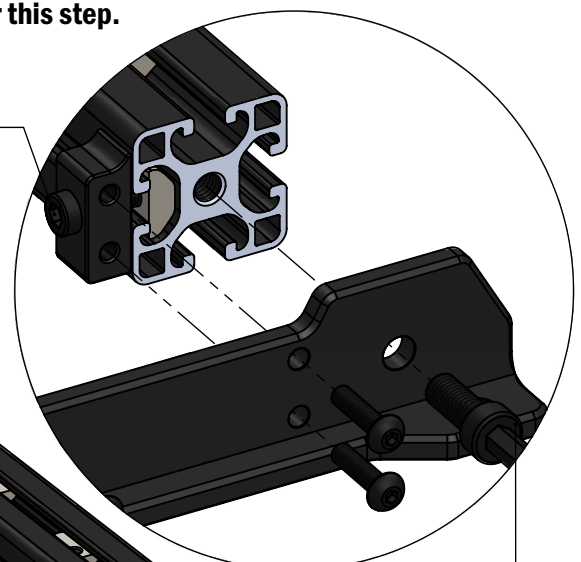
INSERT THE T-NUTS INTO THE ALUMINIUM PROFILE.



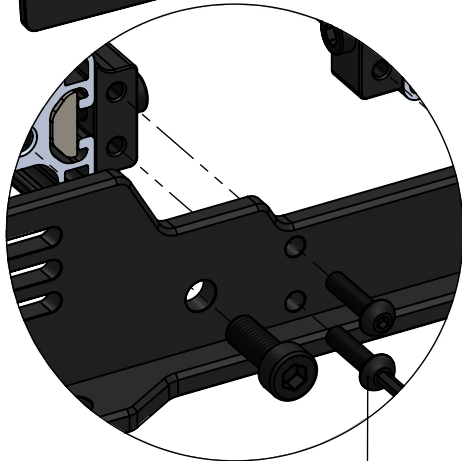
ADD SCREWS BUT NOT TIGHTEN THEM FULLY.

You will need 3mm and 6mm hex wrench for this step.

STEP 2
TIGHTEN SCREWS FROM THE PREVIOUS STEP.



STEP 1
ADD AND TIGHTEN SCREWS.



ATTACH AND TIGHTEN THE SCREWS.

