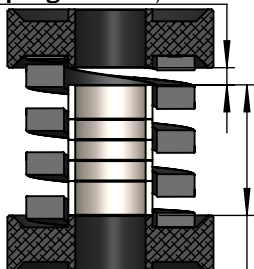


This guide describe how much percent of Pedal force required, to compress an Die Spring until it hit the MultiStage spacer.

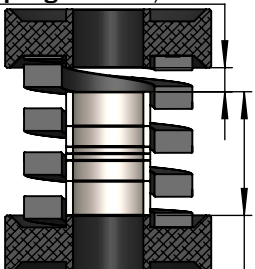
If you are required to use 1mm spacer, always use them between bigger spacers.

**Spring Travel: 2,5mm**



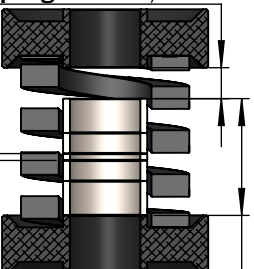
**Spacers Total: 19mm**  
8% Force - Soft Spring  
15% Force - Medium Spring  
29% Force - Hard Spring

**Spring Travel: 3,5mm**



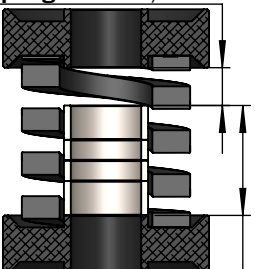
**Spacers Total: 18mm**  
11% Force - Soft Spring  
20% Force - Medium Spring  
41% Force - Hard Spring

**Spring Travel: 4,5mm**



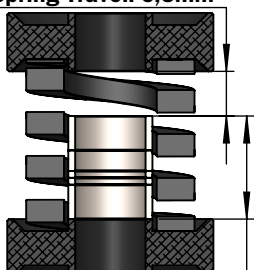
**Spacers Total: 17mm**  
14% Force - Soft Spring  
26% Force - Medium Spring  
53% Force - Hard Spring

**Spring Travel: 5,5mm**



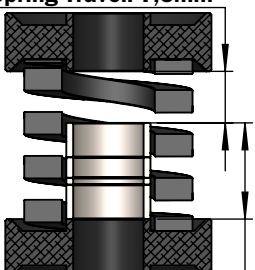
**Spacers Total: 16mm**  
17% Force - Soft Spring  
32% Force - Medium Spring  
64% Force - Hard Spring

**Spring Travel: 6,5mm**



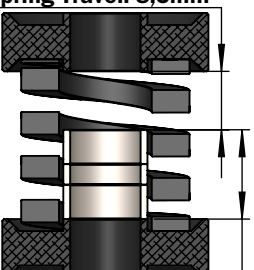
**Spacers Total: 15mm**  
20% Force - Soft Spring  
38% Force - Medium Spring  
76% Force - Hard Spring

**Spring Travel: 7,5mm**



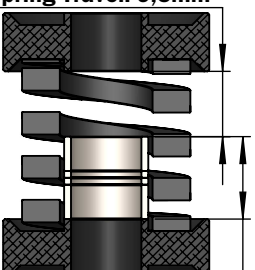
**Spacers Total: 14mm**  
24% Force - Soft Spring  
44% Force - Medium Spring  
Out of range - Hard Spring

**Spring Travel: 8,5mm**



**Spacers Total: 13mm**  
27% Force - Soft Spring  
50% Force - Medium Spring  
Out of range - Hard Spring

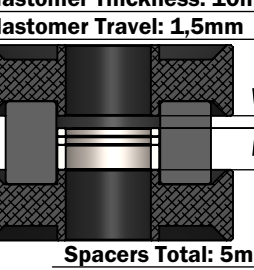
**Spring Travel: 9,5mm**



**Spacers Total: 12mm**  
30% Force - Soft Spring  
Out of range - Medium Spring  
Out of range - Hard Spring

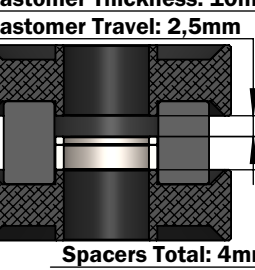
This guide describe how much percent of Pedal force required, to compress an elastomer until it hit the MultiStage spacer. If You use more travel for an elastomers then described in this guide, You have the risk to damage them!!!

**Elastomer Thickness: 10mm**  
**Elastomer Travel: 1,5mm**



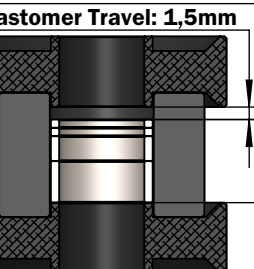
**Spacers Total: 5mm**  
25% Force - 70# Medium (1 dot)  
40% Force - 80# Hard (2 dot)

**Elastomer Thickness: 10mm**  
**Elastomer Travel: 2,5mm**



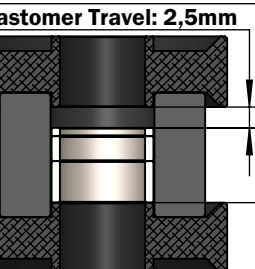
**Spacers Total: 4mm**  
55% Force - 70# Medium (1 dot)  
75% Force - 80# Hard (2 dot)

**Elastomer Thickness: 15mm**  
**Elastomer Travel: 1,5mm**



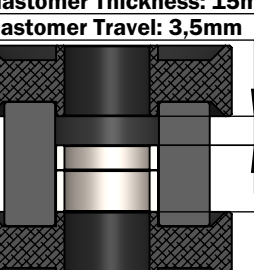
**Spacers Total: 10mm**  
12% Force - 70# Medium (1 dot)  
18% Force - 80# Hard (2 dot)

**Elastomer Thickness: 15mm**  
**Elastomer Travel: 2,5mm**



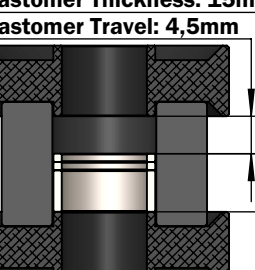
**Spacers Total: 9mm**  
23% Force - 70# Medium (1 dot)  
33% Force - 80# Hard (2 dot)

**Elastomer Thickness: 15mm**  
**Elastomer Travel: 3,5mm**



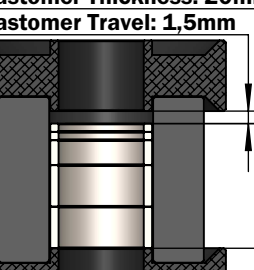
**Spacers Total: 8mm**  
38% Force - 70# Medium (1 dot)  
56% Force - 80# Hard (2 dot)

**Elastomer Thickness: 15mm**  
**Elastomer Travel: 4,5mm**



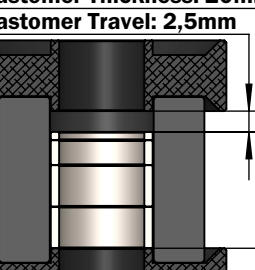
**Spacers Total: 7mm**  
50% Force - 70# Medium (1 dot)  
68% Force - 80# Hard (2 dot)

**Elastomer Thickness: 20mm**  
**Elastomer Travel: 1,5mm**



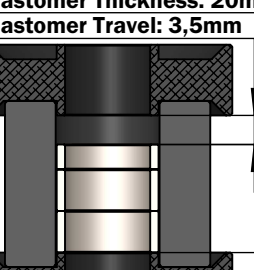
**Spacers Total: 15mm**  
4% Force - 70# Medium (1 dot)  
12% Force - 80# Hard (2 dot)

**Elastomer Thickness: 20mm**  
**Elastomer Travel: 2,5mm**



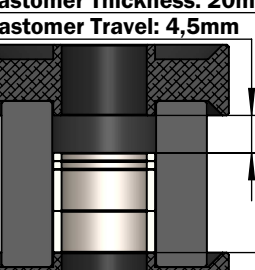
**Spacers Total: 14mm**  
10% Force - 70# Medium (1 dot)  
24% Force - 80# Hard (2 dot)

**Elastomer Thickness: 20mm**  
**Elastomer Travel: 3,5mm**



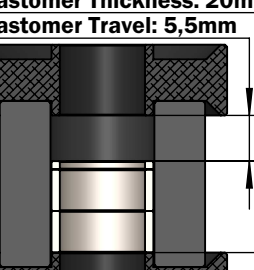
**Spacers Total: 13mm**  
17% Force - 70# Medium (1 dot)  
36% Force - 80# Hard (2 dot)

**Elastomer Thickness: 20mm**  
**Elastomer Travel: 4,5mm**



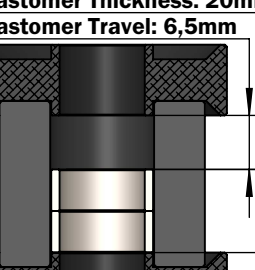
**Spacers Total: 12mm**  
28% Force - 70# Medium (1 dot)  
49% Force - 80# Hard (2 dot)

**Elastomer Thickness: 20mm**  
**Elastomer Travel: 5,5mm**



**Spacers Total: 11mm**  
36% Force - 70# Medium (1 dot)  
62% Force - 80# Hard (2 dot)

**Elastomer Thickness: 20mm**  
**Elastomer Travel: 6,5mm**



**Spacers Total: 10mm**  
43% Force - 70# Medium (1 dot)  
68% Force - 80# Hard (2 dot)