

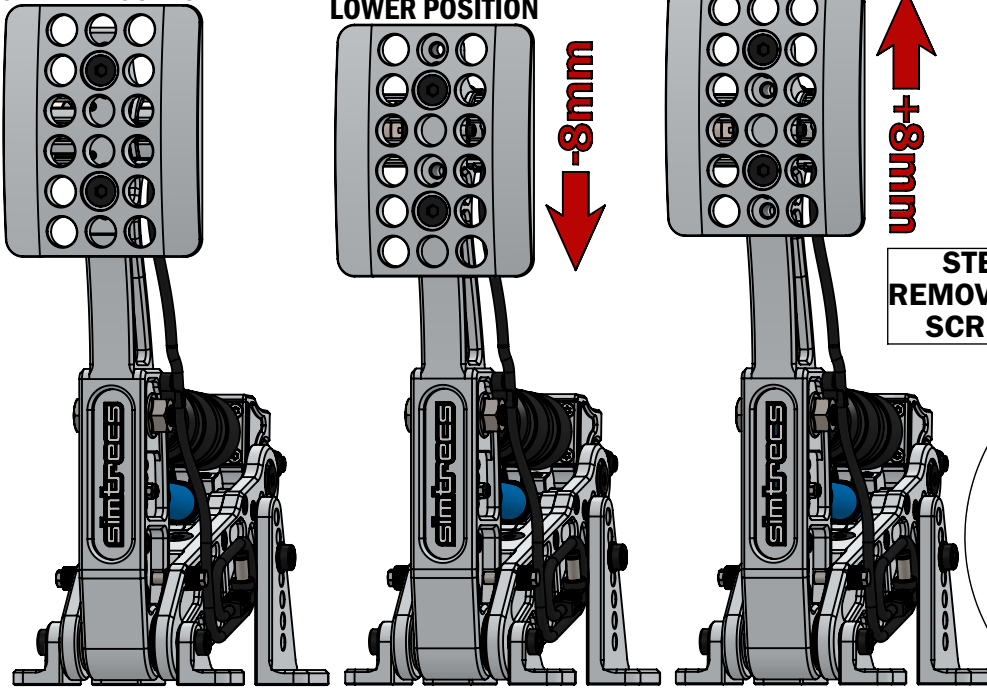
CENTER POSITION

LOWER POSITION

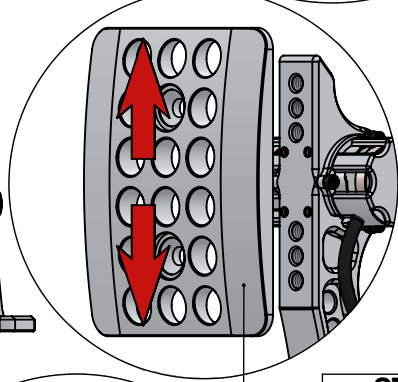
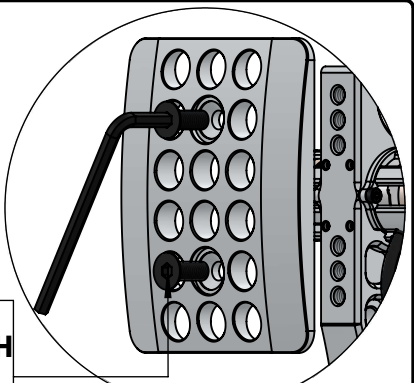
UPPER POSITION

-8mm

+8mm



STEP 1 REMOVE BOTH SCREWS.



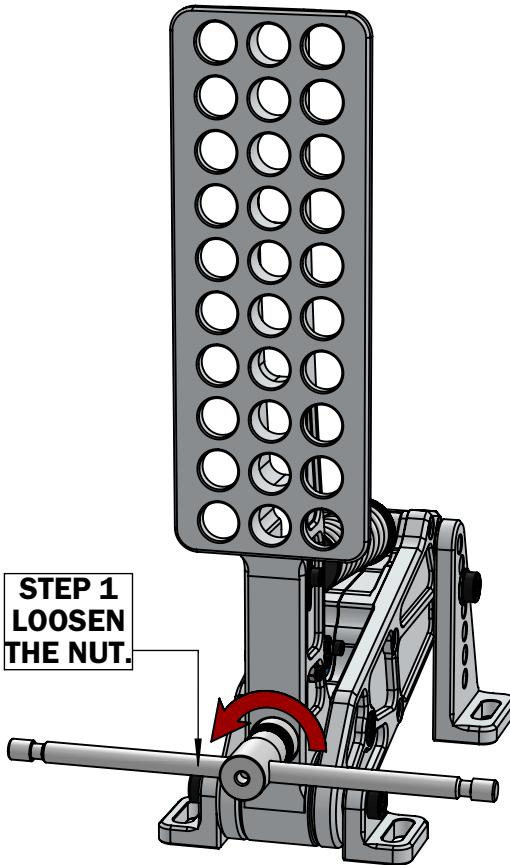
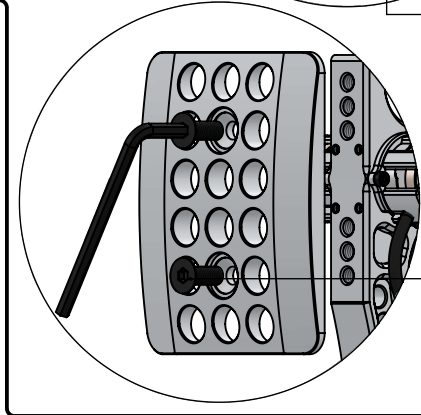
The adjustment procedure is the same for brake and the clutch pedal as well.

Use 3mm hex wrench and 10mm socket drive for this step.
The pedal travel adjustment procedure is the same for throttle and clutch pedals as well.

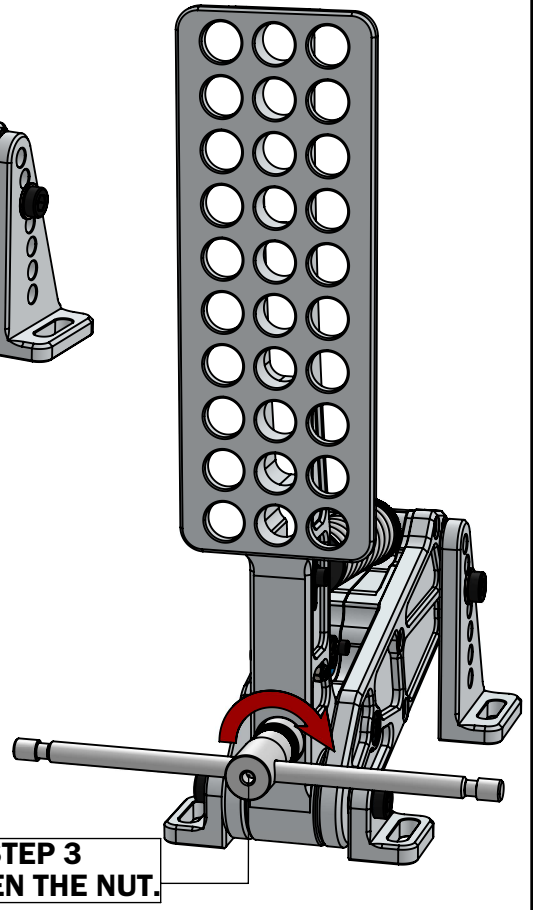
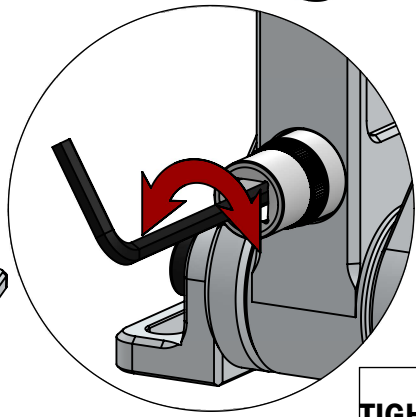
STEP 2
TURNING THE SCREW LEFT WILL INCREASE, AND TURNING IT TO RIGHT WILL REDUCE THE PEDAL TRAVEL. DURING THE PROCESS HOLD WITH ONE HAND THE 10mm SOCKET DRIVER.

STEP 2
ADJUST THE PEDAL TO THE DESIRED POSITION.

STEP 3
ADD AND TIGHTEN BOTH SCREWS.



STEP 1
LOOSEN THE NUT.



STEP 3
TIGHTEN THE NUT.