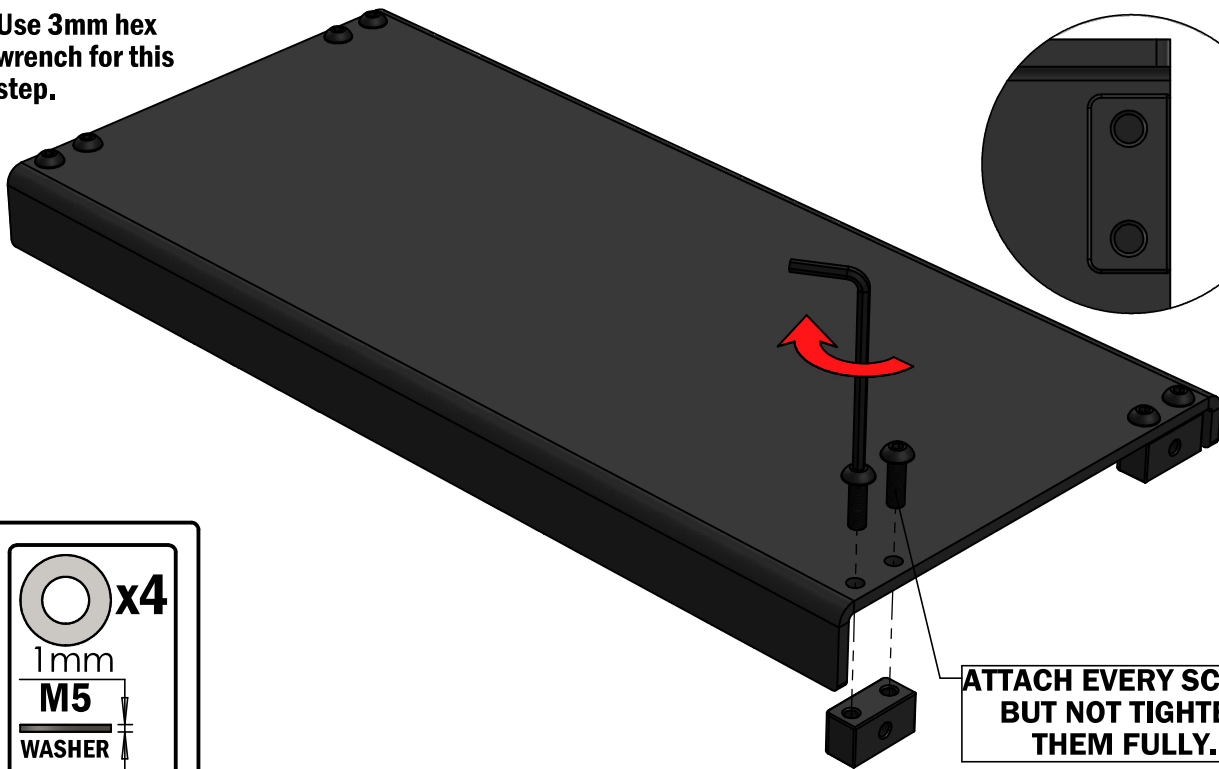
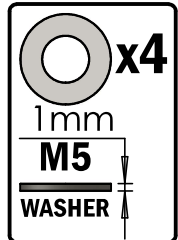
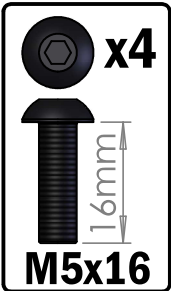


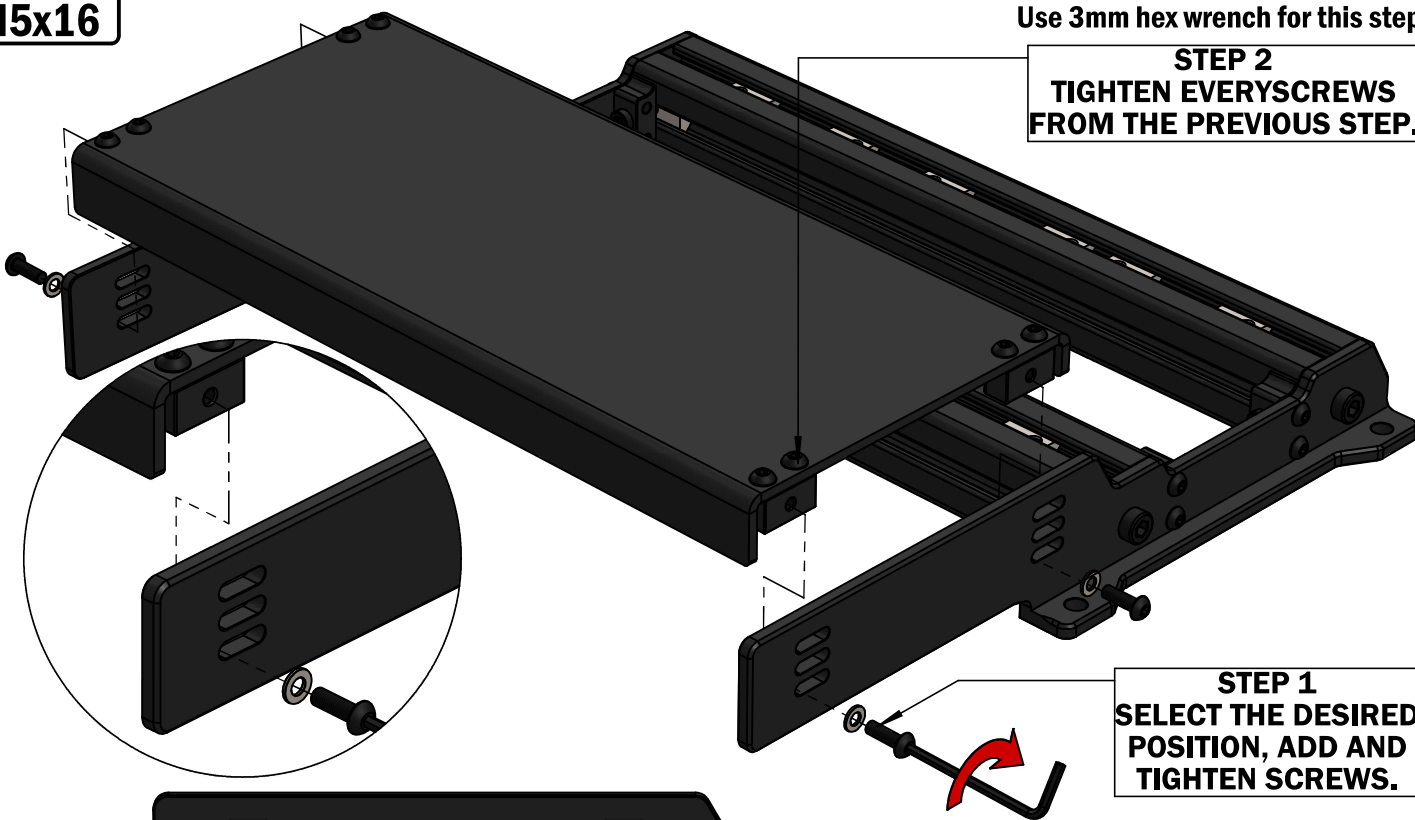
Use 3mm hex wrench for this step.



ATTACH EVERY SCREW BUT NOT TIGHTEN THEM FULLY.



Use 3mm hex wrench for this step.



**STEP 2
TIGHTEN EVERYSCREWS FROM THE PREVIOUS STEP.**

**STEP 1
SELECT THE DESIRED POSITION, ADD AND TIGHTEN SCREWS.**

