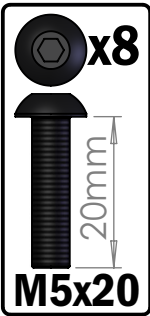
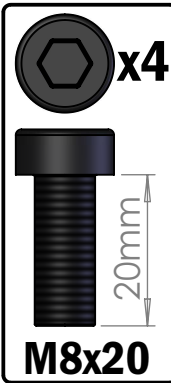
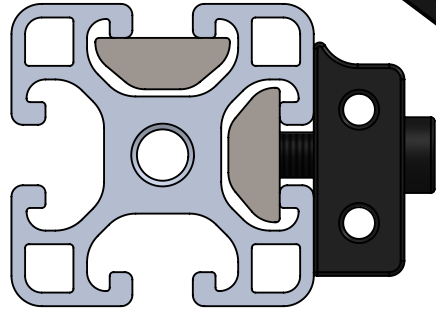
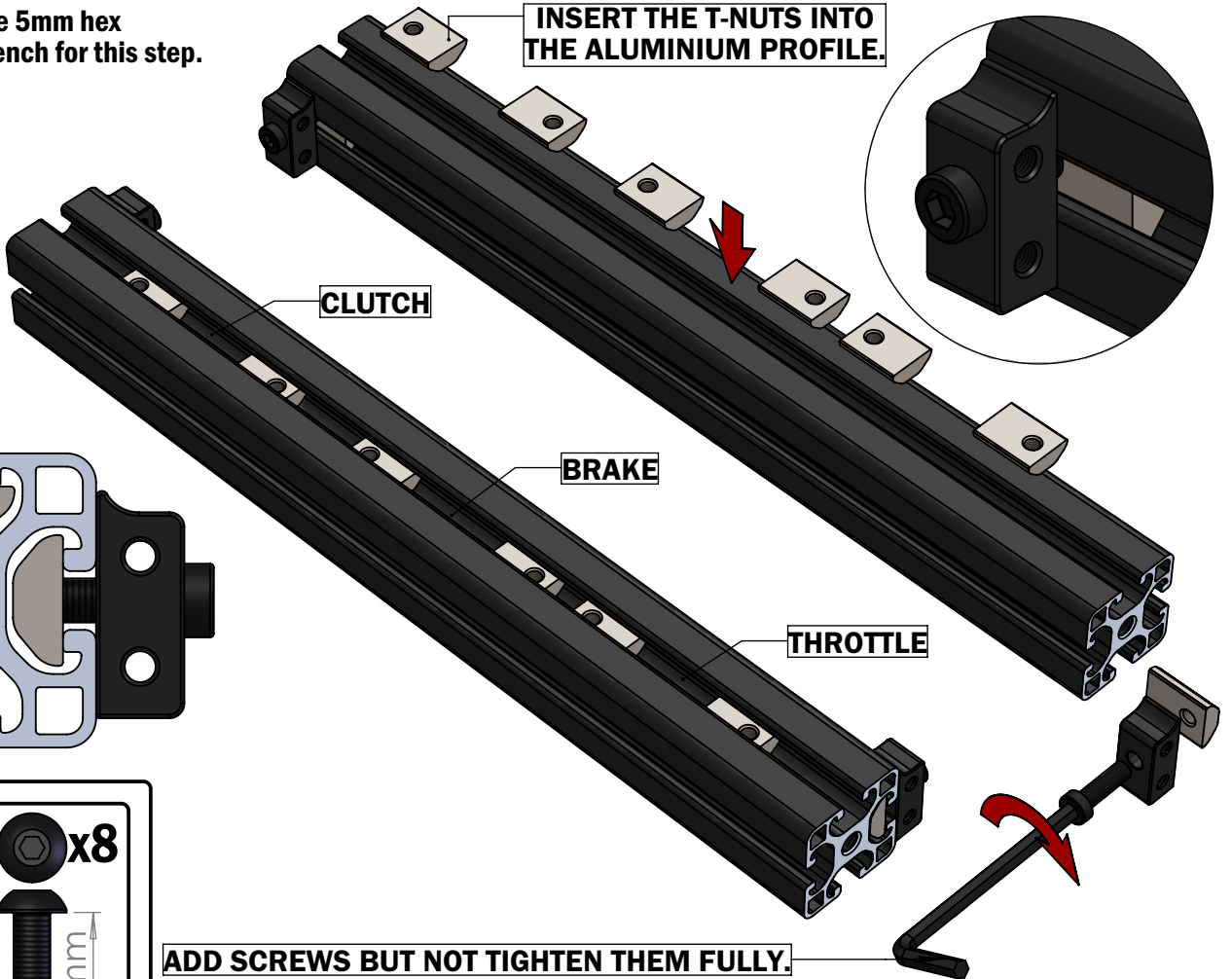


Use 5mm hex wrench for this step.

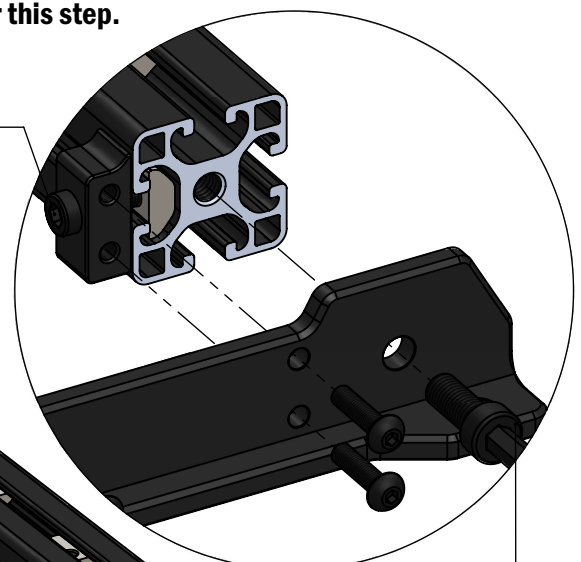
**INSERT THE T-NUTS INTO THE ALUMINIUM PROFILE.**



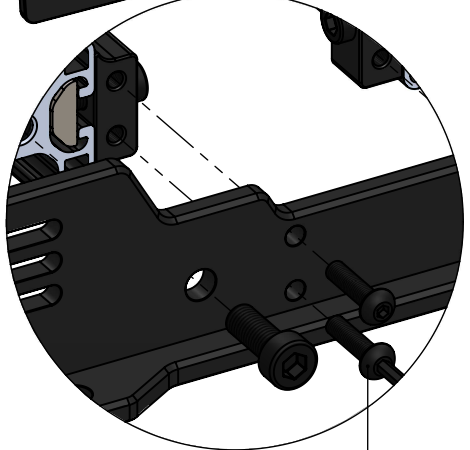
**ADD SCREWS BUT NOT TIGHTEN THEM FULLY.**

You will need 3mm and 6mm hex wrench for this step.

**STEP 2**  
**TIGHTEN SCREWS FROM THE PREVIOUS STEP.**



**STEP 1**  
**ADD AND TIGHTEN SCREWS.**



**ATTACH AND TIGHTEN THE SCREWS.**

