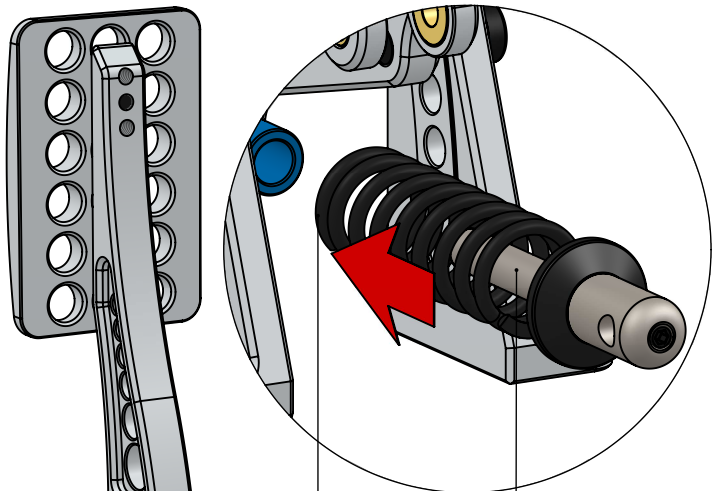
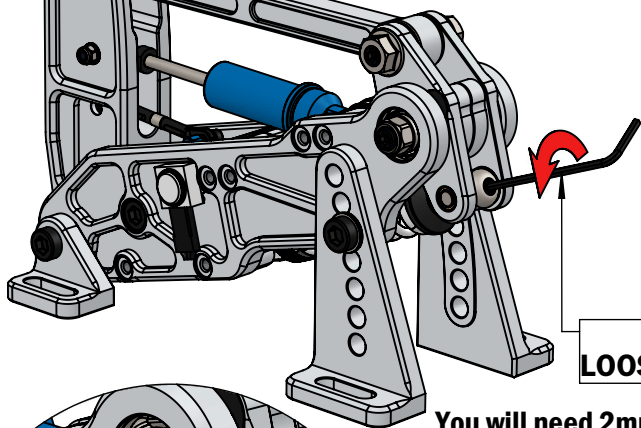


**STEP 2
PUSH OUT THE PIN.**



**USE GREASE
HERE.**

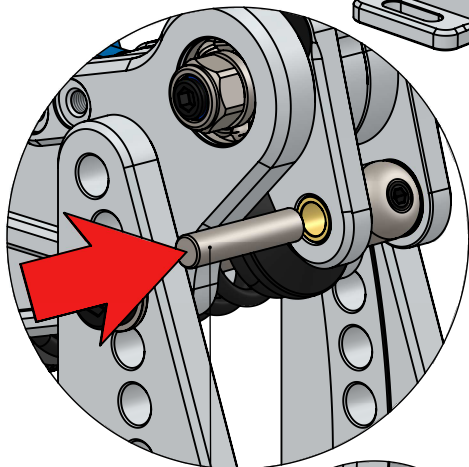
**STEP 4
RE-ATTACH THE
DESIRED SPRING.**



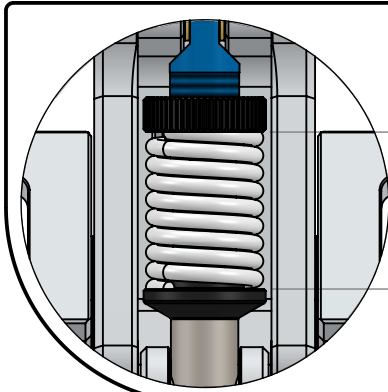
**STEP 1
LOOSEN THE SCREW.**

**STEP 3
REMOVE
THE SPRING.**

You will need 2mm hex wrench for this step.

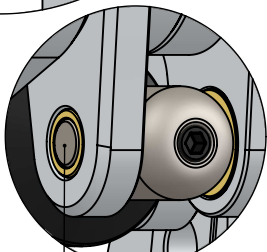


**STEP 5
PUSH BACK
THE PIN.**

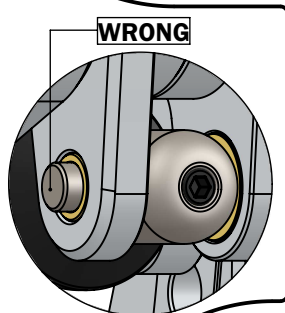


The minimum compressed spring length always need to be higher than 28mm.

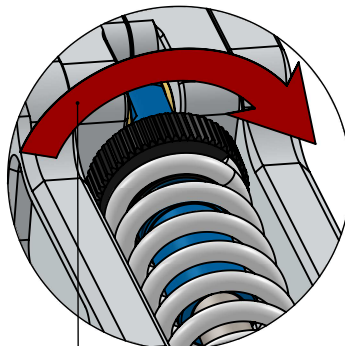
**STEP 6
TIGHTEN
THE SCREW.**



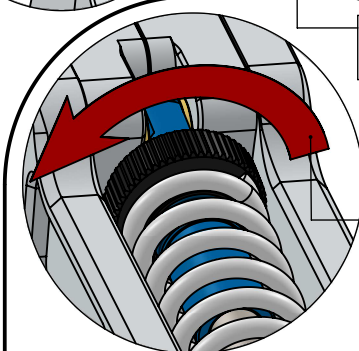
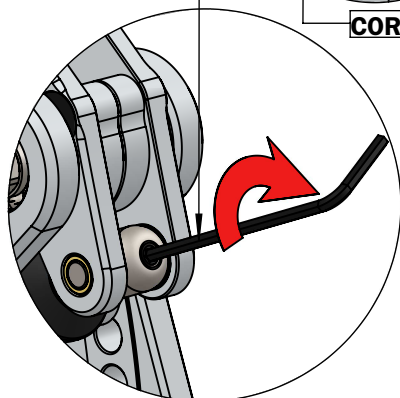
CORRECT



WRONG



**DECREASE
PRELOAD**



**INCREASE
PRELOAD**

