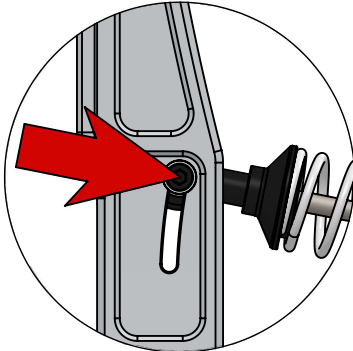
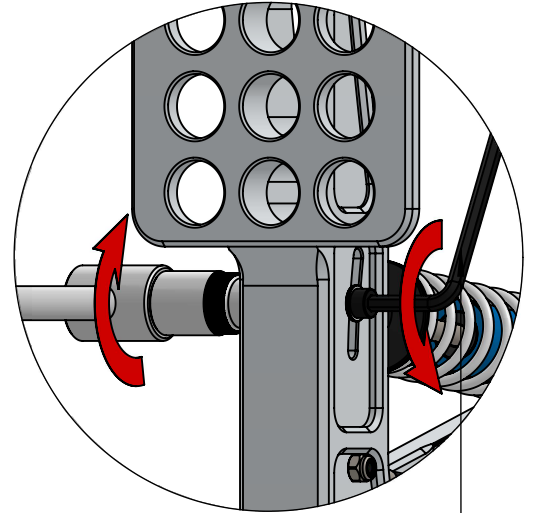


**SOFTER PEDAL FEEL**

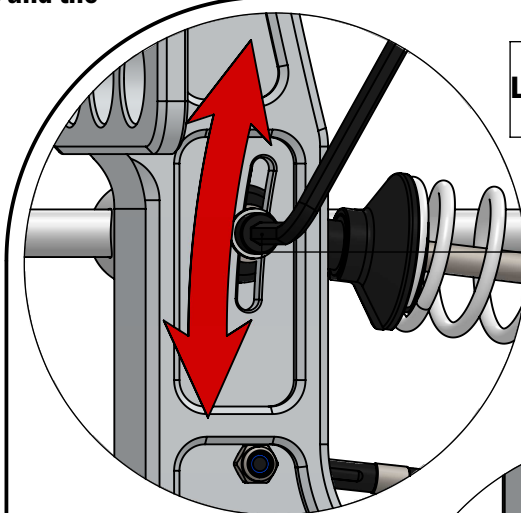


**HARDER PEDAL FEEL**

In the highest position, pedal has a stiffer characteristics and the required pedal force is higher, whilst in the lower position pedal has a softer characteristics and the required pedal force is lower.

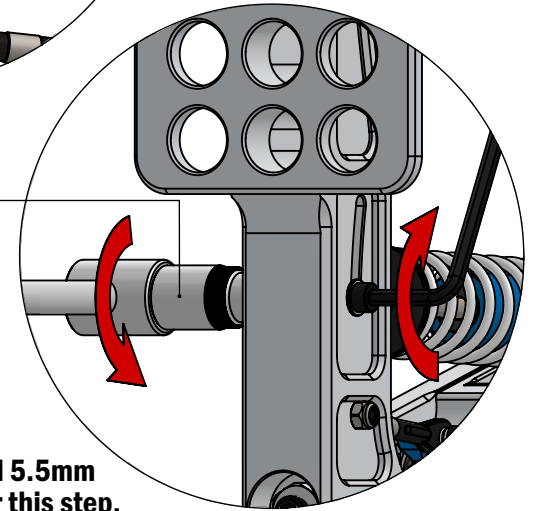


**STEP 1  
LOOSEN THE SCREW  
AND THE NUT.**

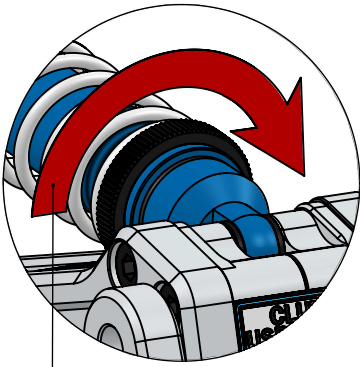


**STEP 2  
SLIDE THE ADJUSTMENT  
BOLT TO THE DESIRED  
POSITION.**

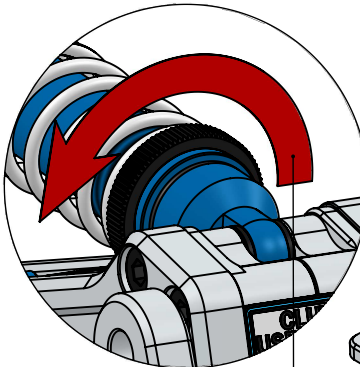
**STEP 3  
TIGHTEN THE SCREW  
AND THE NUT.**



Use 2.5mm hex wrench and 5.5mm socket drive for this step.

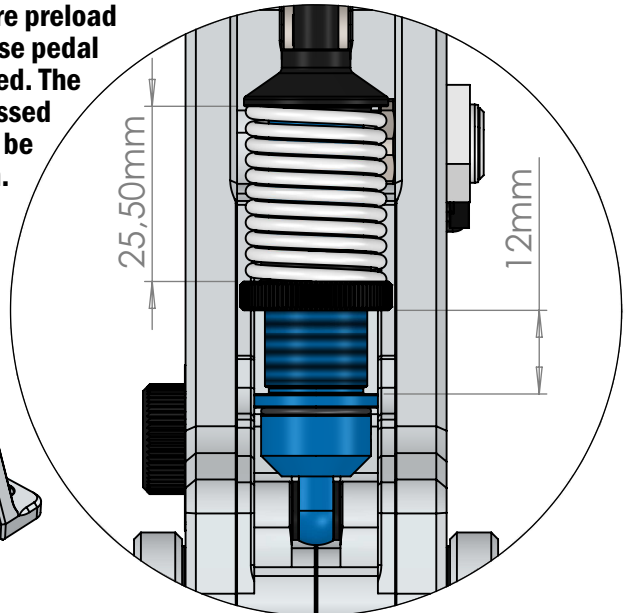


**INCREASE  
PRELOAD**



**REDUCE  
PRELOAD**

Never use more preload than 12mm, because pedal could be damaged. The minimum compressed spring length must be at least 25.5mm.



More preload increases the amount of pedal force, it increases both the initial and the total amount of force.

