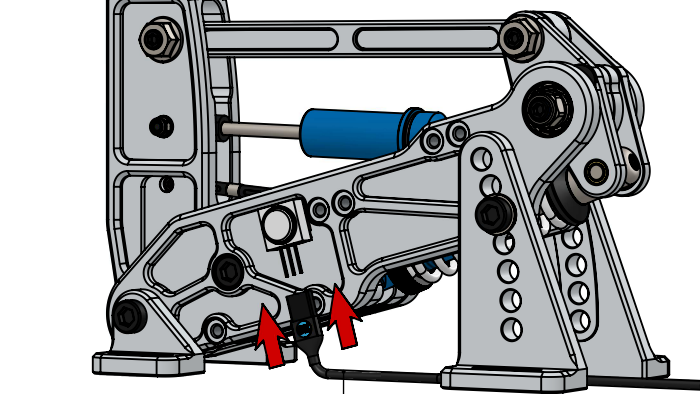
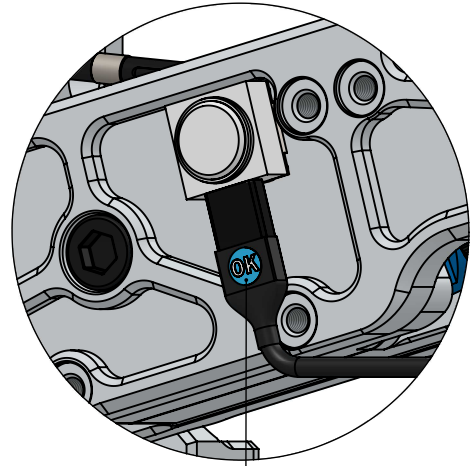


**IDENTIFICATION SYMBOL OUTSIDE**

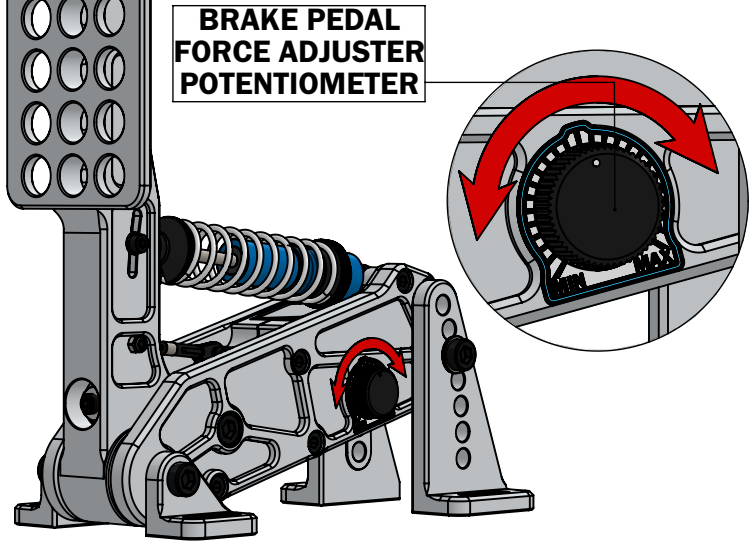


**CLUTCH CABLE**

The brake pedal force can be adjusted "on the fly" with a potentiometer.  
E.g.:

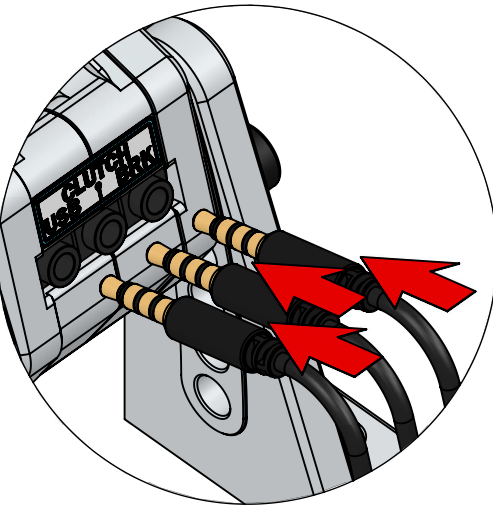
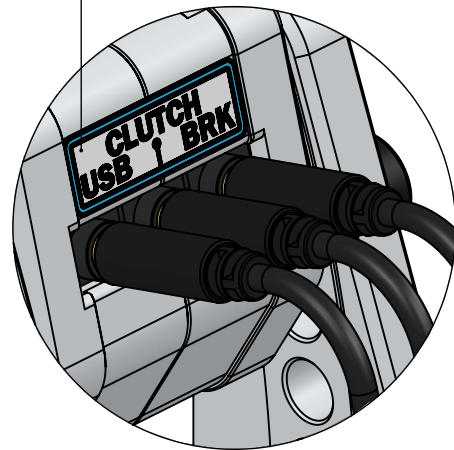
Potentiometer set close to minimum setting:  
50kg pressure on the pedal = 95% brake force in the simulator software

Potentiometer set close to maximum setting:  
100kg pressure on the pedal = 95% brake force in the simulator software

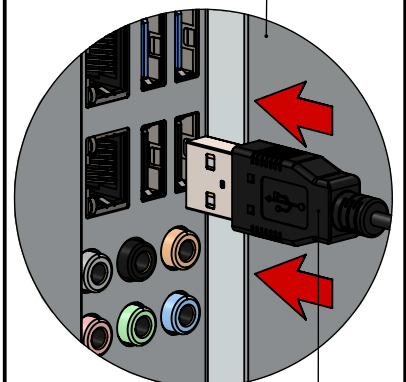


**BRAKE PEDAL FORCE ADJUSTER POTENTIOMETER**

**FOLLOW THE PLUG IDENTIFICATION TEXT ON THE PEDAL BASE.**



**SIMULATOR COMPUTER**



**PEDAL USB CABLE**