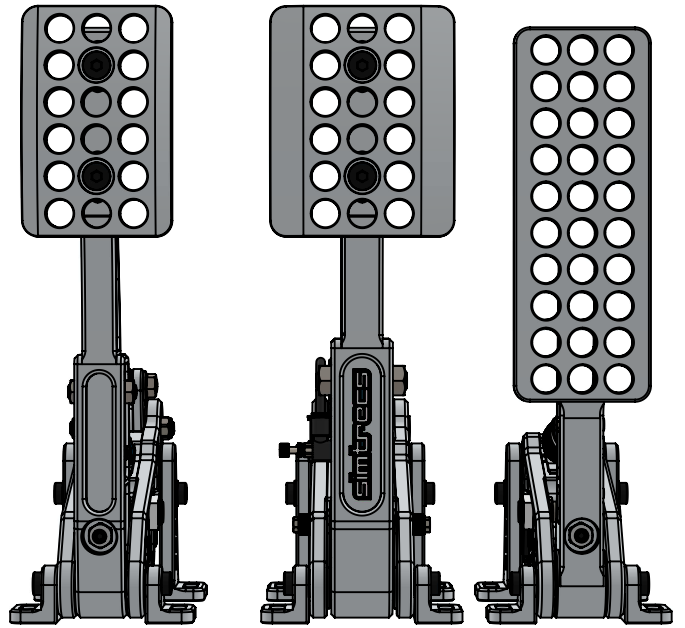
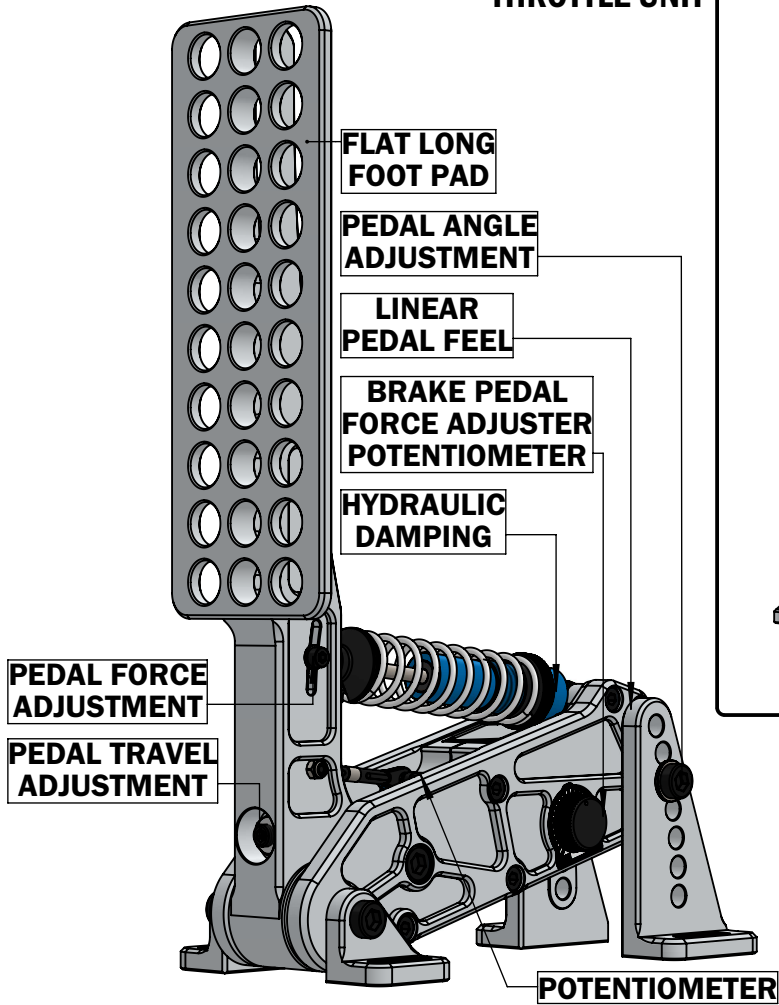


THROTTLE UNIT



MODULAR DESIGN
INDEPENDENTLY ADJUSTABLE PEDAL POSITIONS

CLUTCH UNIT

