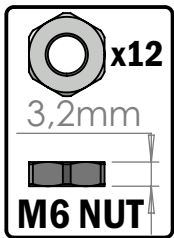
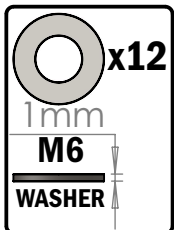
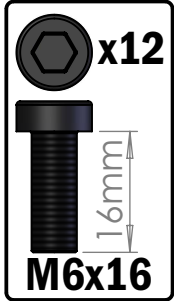
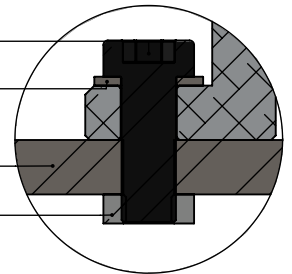


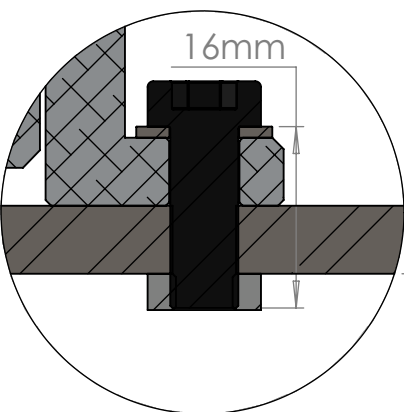
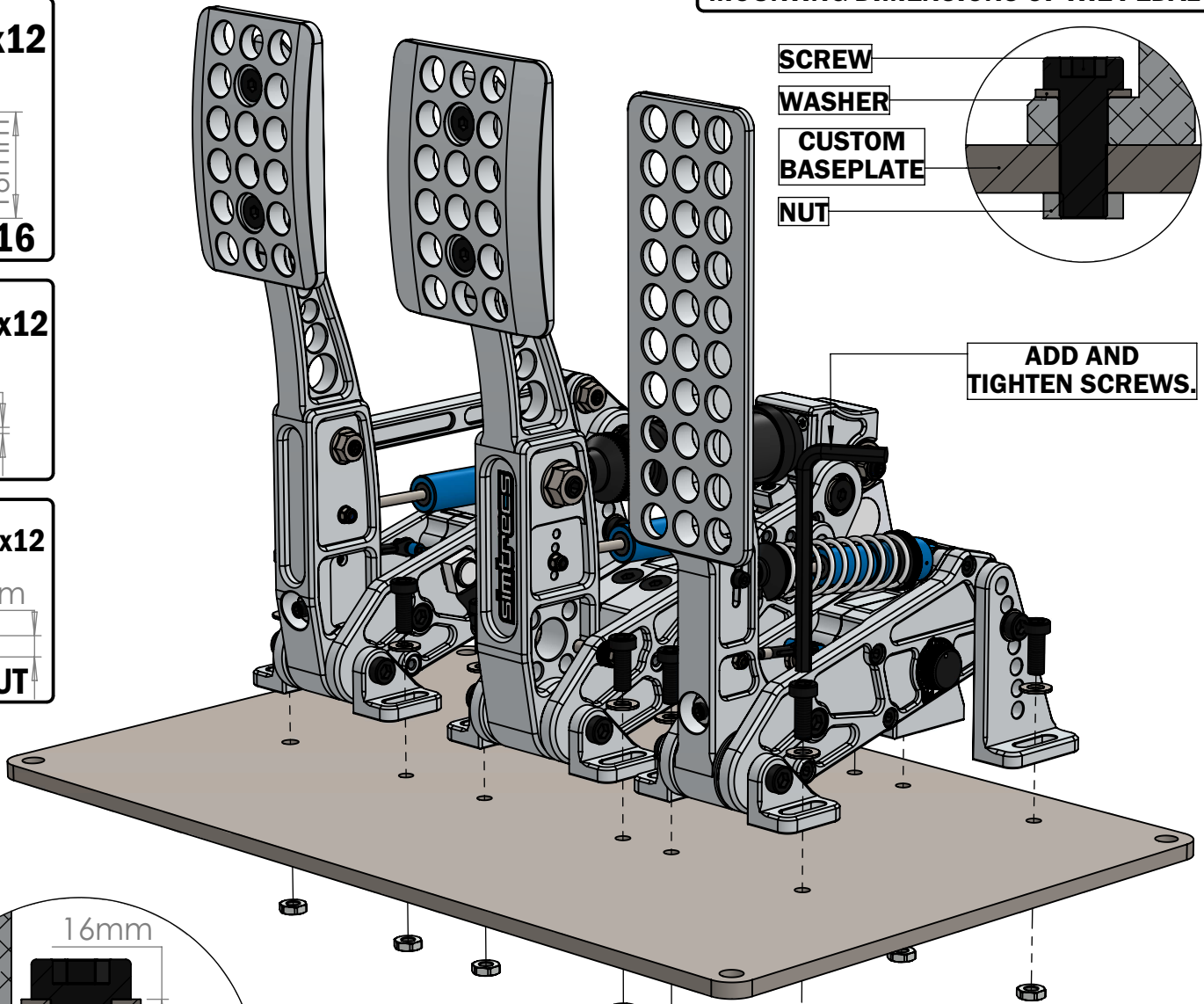
MOUNTING DIMENSIONS OF THE PEDAL



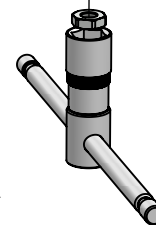
- SCREW
- WASHER
- CUSTOM BASEPLATE
- NUT



ADD AND TIGHTEN SCREWS.



6mm MAXIMUM BASEPLATE THICKNESS WITH M6x16 SCREW



Use 5mm hex wrench and 10mm socket drive for this step.