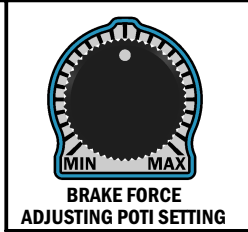
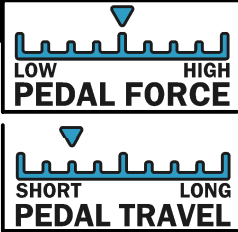
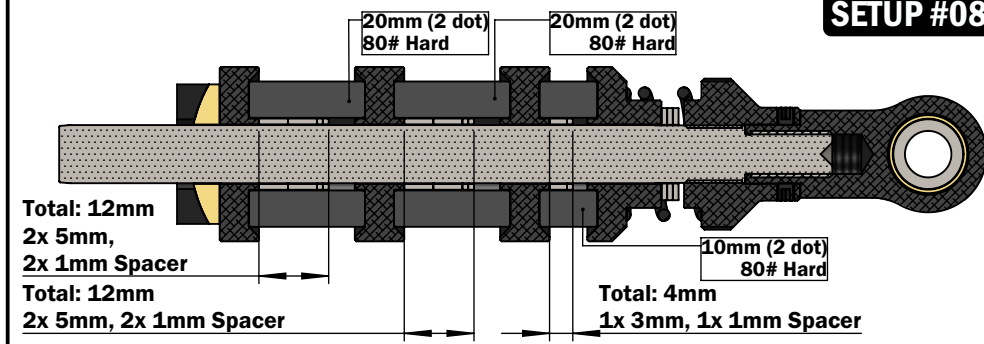


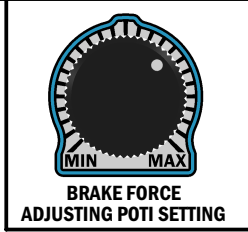
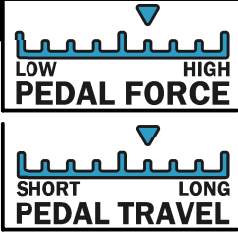
SETUP #07



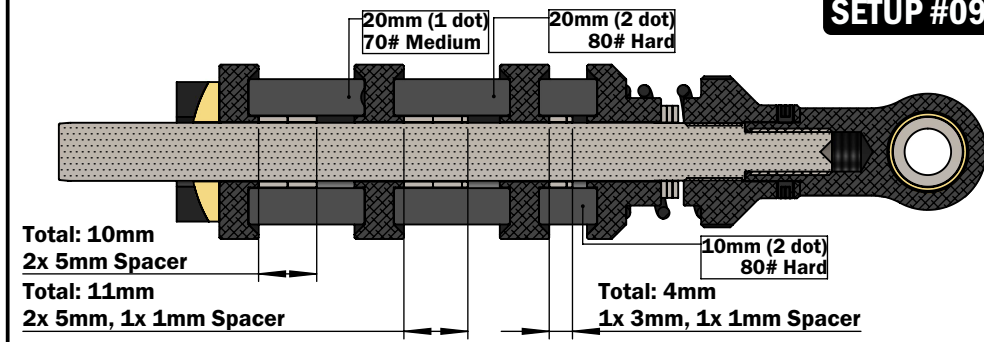
Set the Brake Force adjusting Poti to: 12 o'clock. "Stiff up Point" will be at 65-75% in SmartDrive. Set "Maximum Brake force" in SmartDrive to 90-100% in iRacing and 80-85% in other Sims.



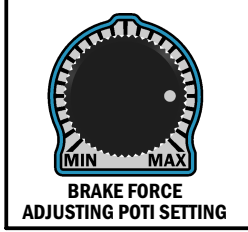
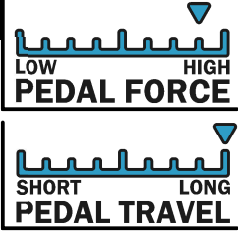
SETUP #08



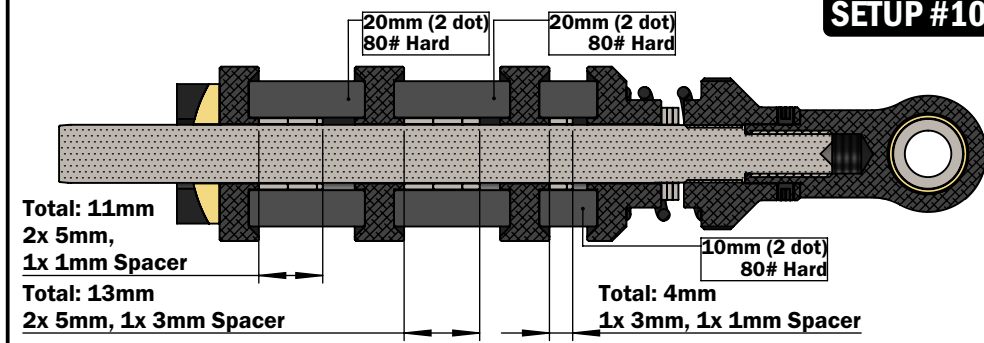
Set the Brake Force adjusting Poti to: 1:30. "Stiff up Point" will be at 65-75% in SmartDrive. Set "Maximum Brake force" in SmartDrive to 90-100% in iRacing and 80-85% in other Sims.



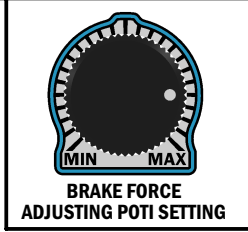
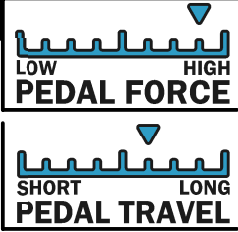
SETUP #09



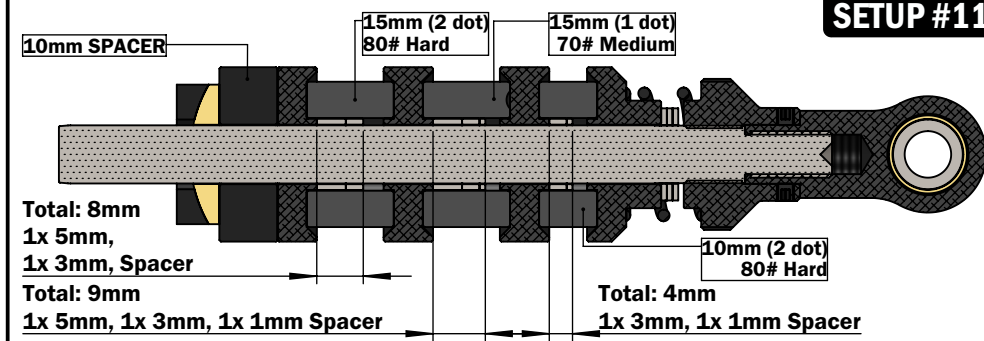
Set the Brake Force adjusting Poti to: 3 o'clock. "Stiff up Point" will be at 65-75% in SmartDrive. Set "Maximum Brake force" in SmartDrive to 90-100% in iRacing and 80-85% in other Sims.



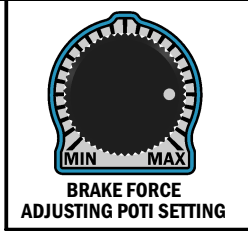
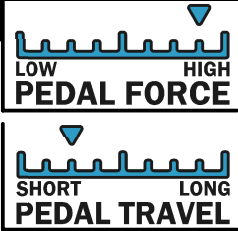
SETUP #10



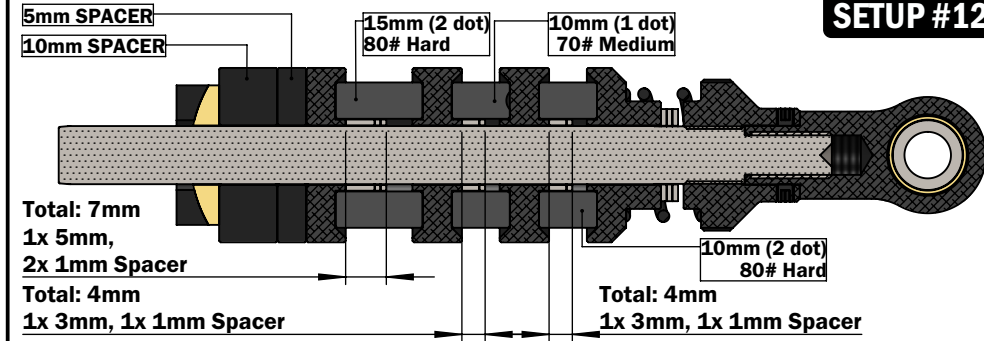
Set the Brake Force adjusting Poti to: 3 o'clock. "Stiff up Point" will be at 65-75% in SmartDrive. Set "Maximum Brake force" in SmartDrive to 90-100% in iRacing and 80-85% in other Sims.



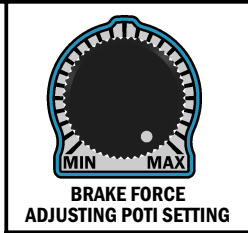
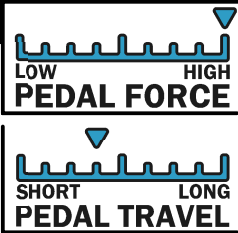
SETUP #11



Set the Brake Force adjusting Poti to: 3 o'clock. "Stiff up Point" will be at 65-75% in SmartDrive. Set "Maximum Brake force" in SmartDrive to 90-100% in iRacing and 80-85% in other Sims.



SETUP #12



Set the Brake Force adjusting Poti to: Maximum. "Stiff up Point" will be at 65-75% in SmartDrive. Set "Maximum Brake force" in SmartDrive to 90-100% in iRacing and 80-85% in other Sims.