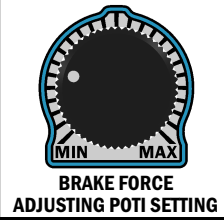
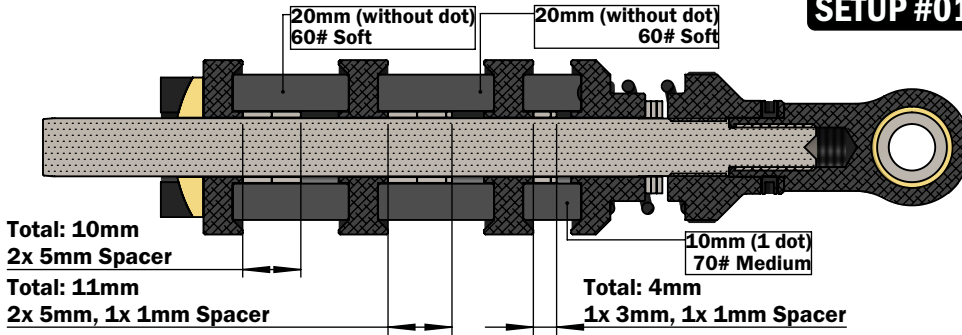
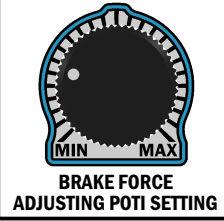
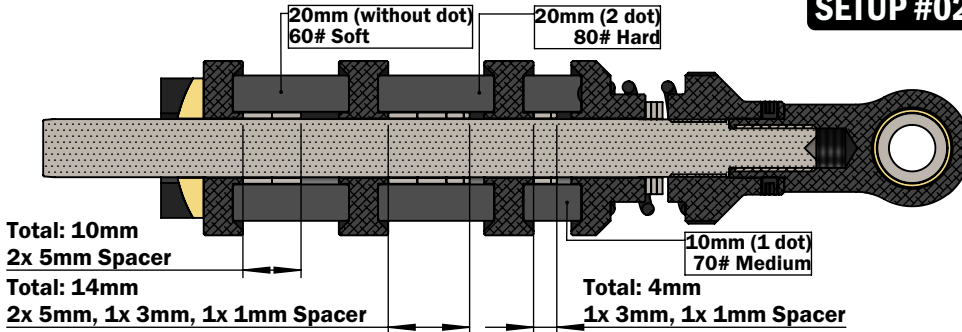


SETUP #01



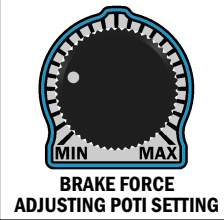
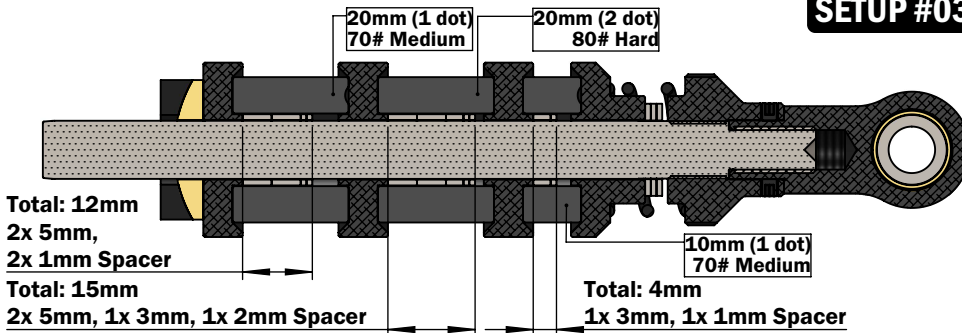
Set the Brake Force adjusting Poti to: 9:30. "Stiff up Point" will be at 65-75% in SmartDrive. Set "Maximum Brake force" in SmartDrive to 90-100% in iRacing and 80-85% in other Sims.

SETUP #02



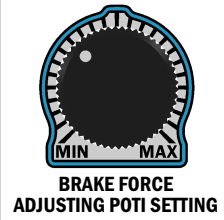
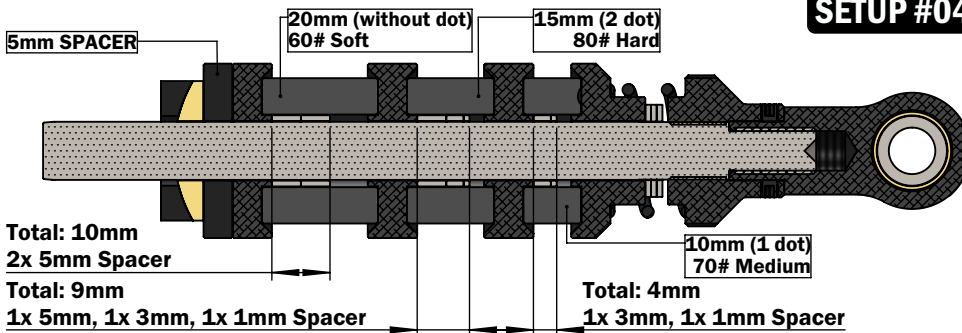
Set the Brake Force adjusting Poti to: 9:30. "Stiff up Point" will be at 65-75% in SmartDrive. Set "Maximum Brake force" in SmartDrive to 90-100% in iRacing and 80-85% in other Sims.

SETUP #03



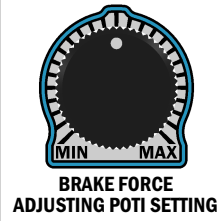
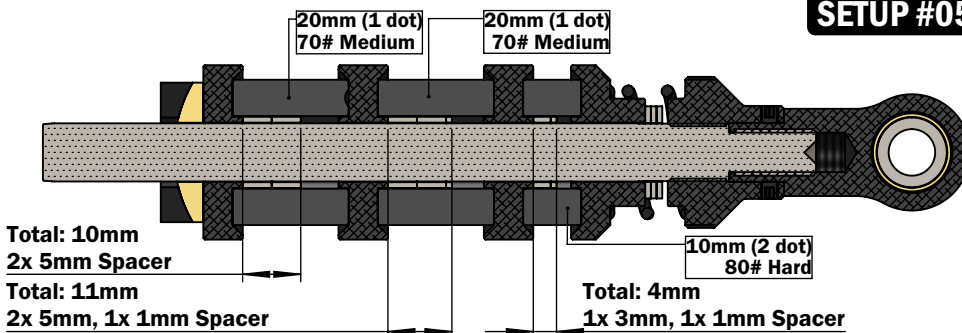
Set the Brake Force adjusting Poti to: 9:30. "Stiff up Point" will be at 65-75% in SmartDrive. Set "Maximum Brake force" in SmartDrive to 90-100% in iRacing and 80-85% in other Sims.

SETUP #04



Set the Brake Force adjusting Poti to: 10:30. "Stiff up Point" will be at 65-75% in SmartDrive. Set "Maximum Brake force" in SmartDrive to 90-100% in iRacing and 80-85% in other Sims.

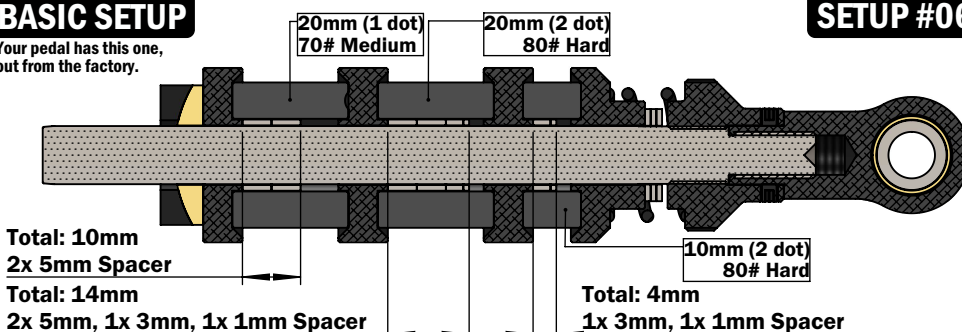
SETUP #05



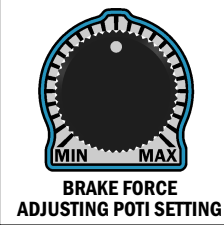
Set the Brake Force adjusting Poti to: 12 o'clock. "Stiff up Point" will be at 65-75% in SmartDrive. Set "Maximum Brake force" in SmartDrive to 90-100% in iRacing and 80-85% in other Sims.

BASIC SETUP

Your pedal has this one, out from the factory.



SETUP #06



Set the Brake Force adjusting Poti to: 12 o'clock. "Stiff up Point" will be at 65-75% in SmartDrive. Set "Maximum Brake force" in SmartDrive to 90-100% in iRacing and 80-85% in other Sims.