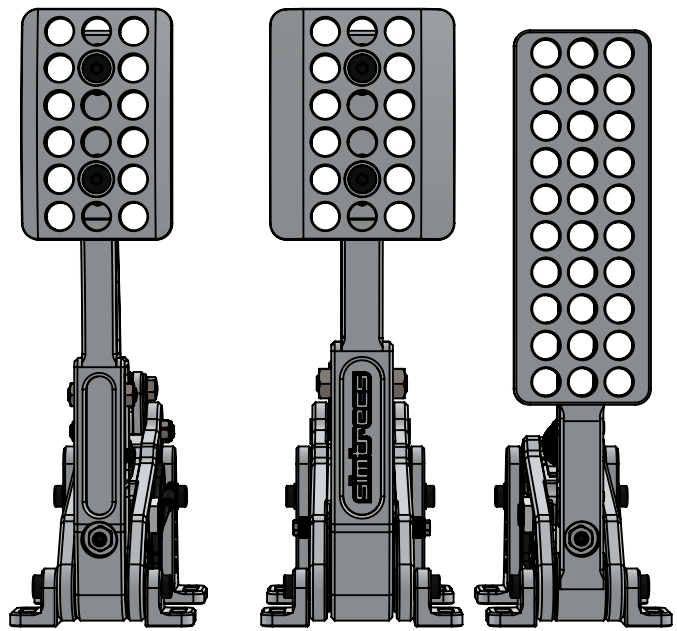
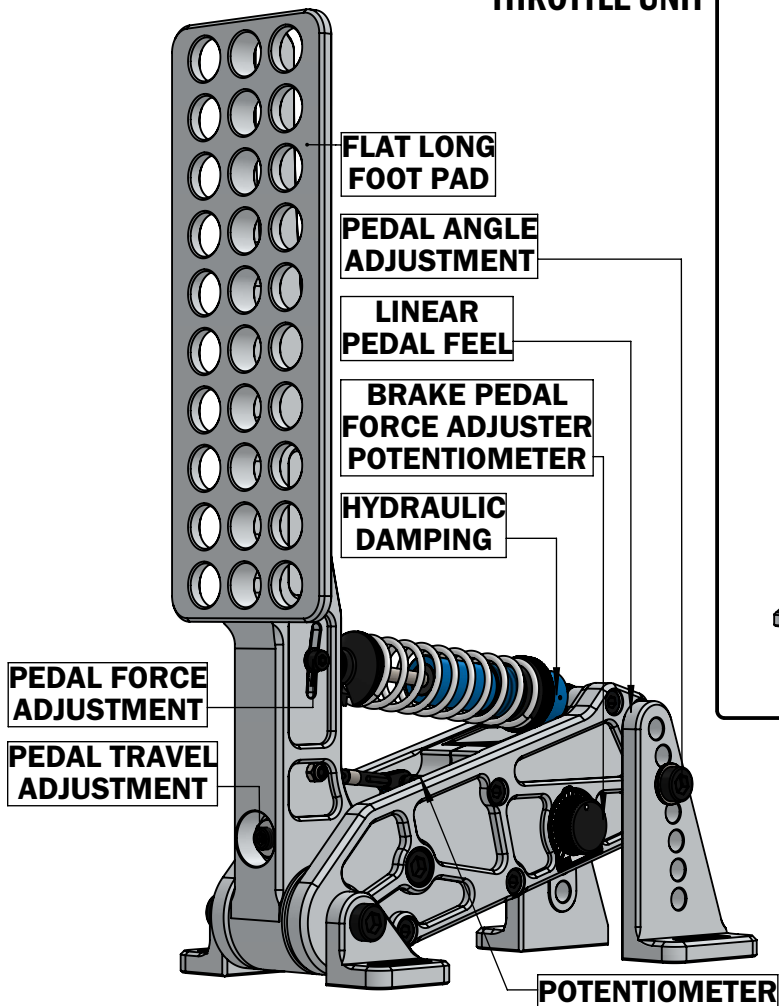
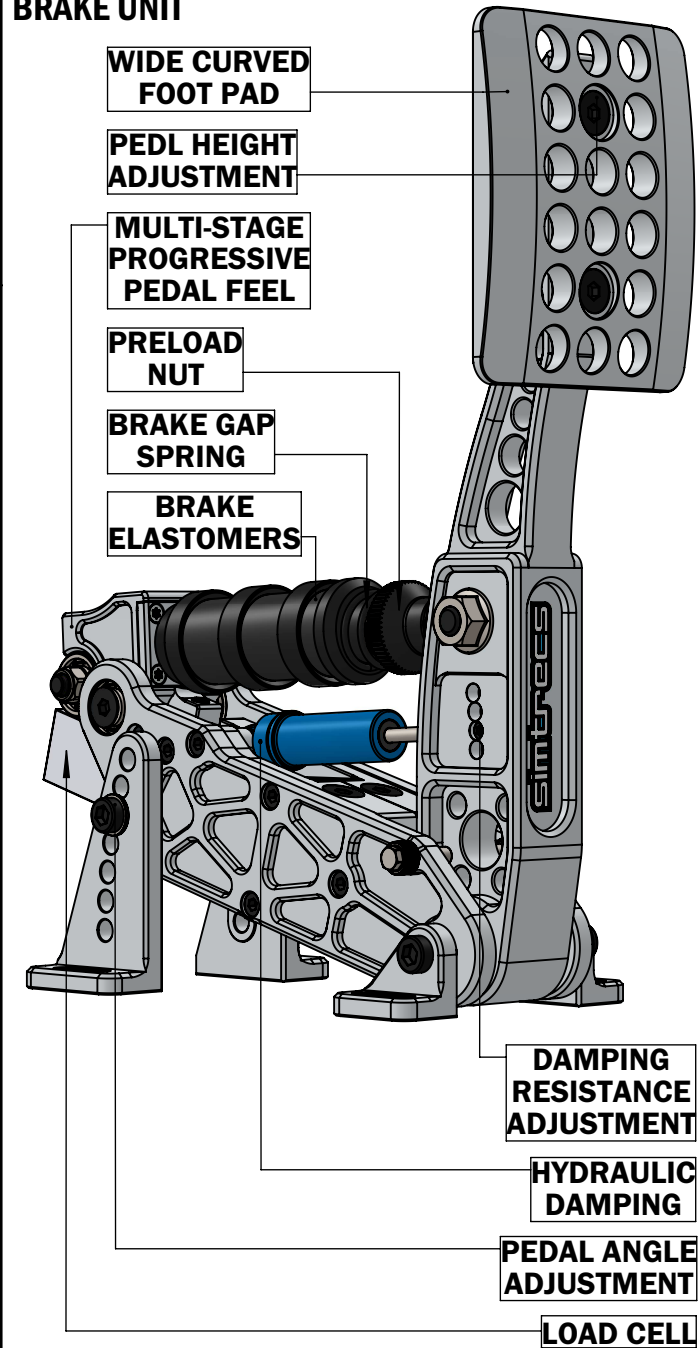


THROTTLE UNIT



MODULAR DESIGN
INDEPENDENTLY ADJUSTABLE PEDAL POSITIONS

BRAKE UNIT



CLUTCH UNIT

