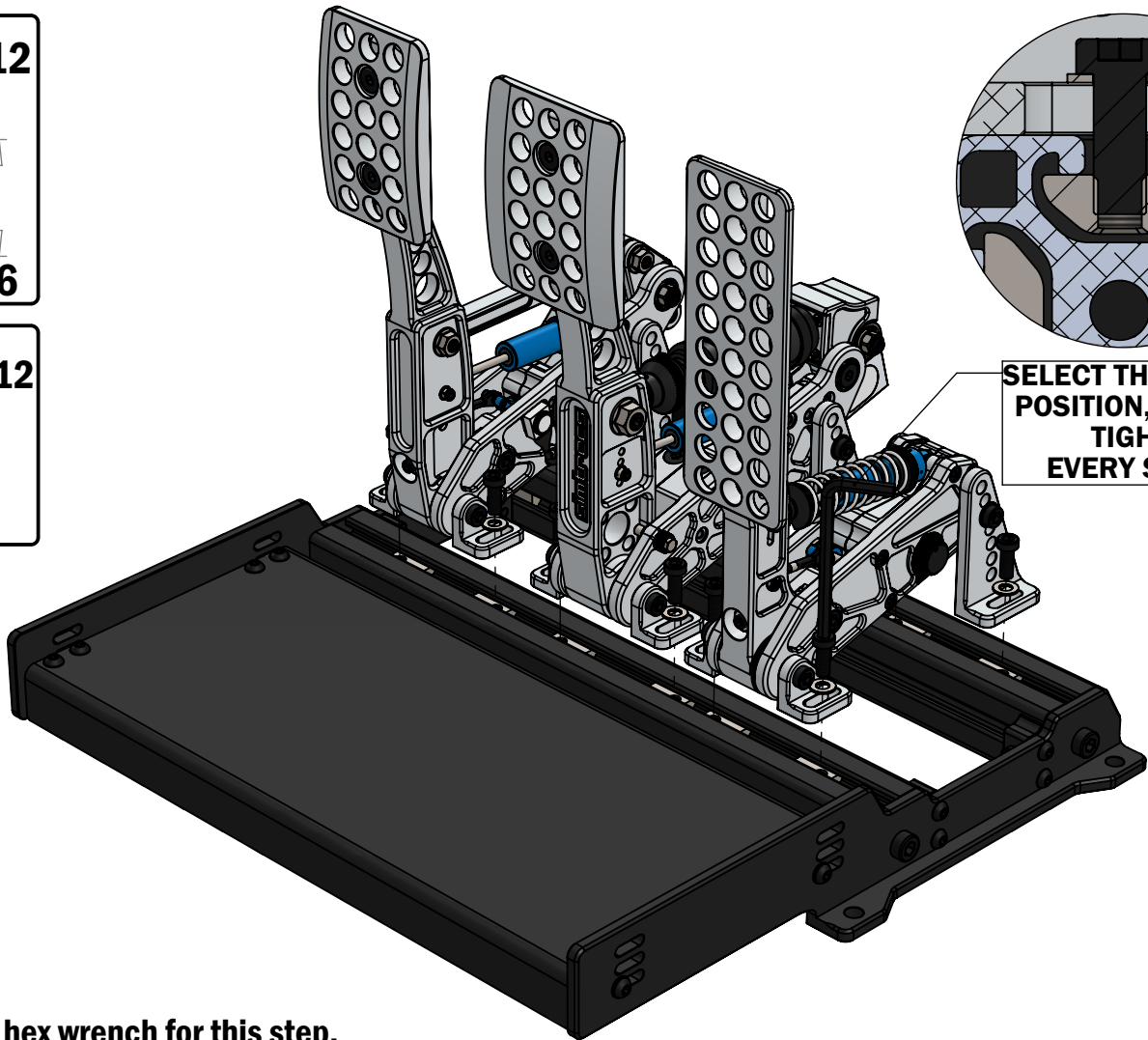


SELECT THE DESIRED POSITION, ADD AND TIGHTEN EVERY SCREW.



Use 5mm hex wrench for this step.

MAXIMUM WIDTH:
WIDE BASEPLATE: 415mm ; NARROW BASEPLATE: 375mm

HOLE DISTANCE ACROSS:
WIDE BASEPLATE: 395mm ; NARROW BASEPLATE: 355mm

