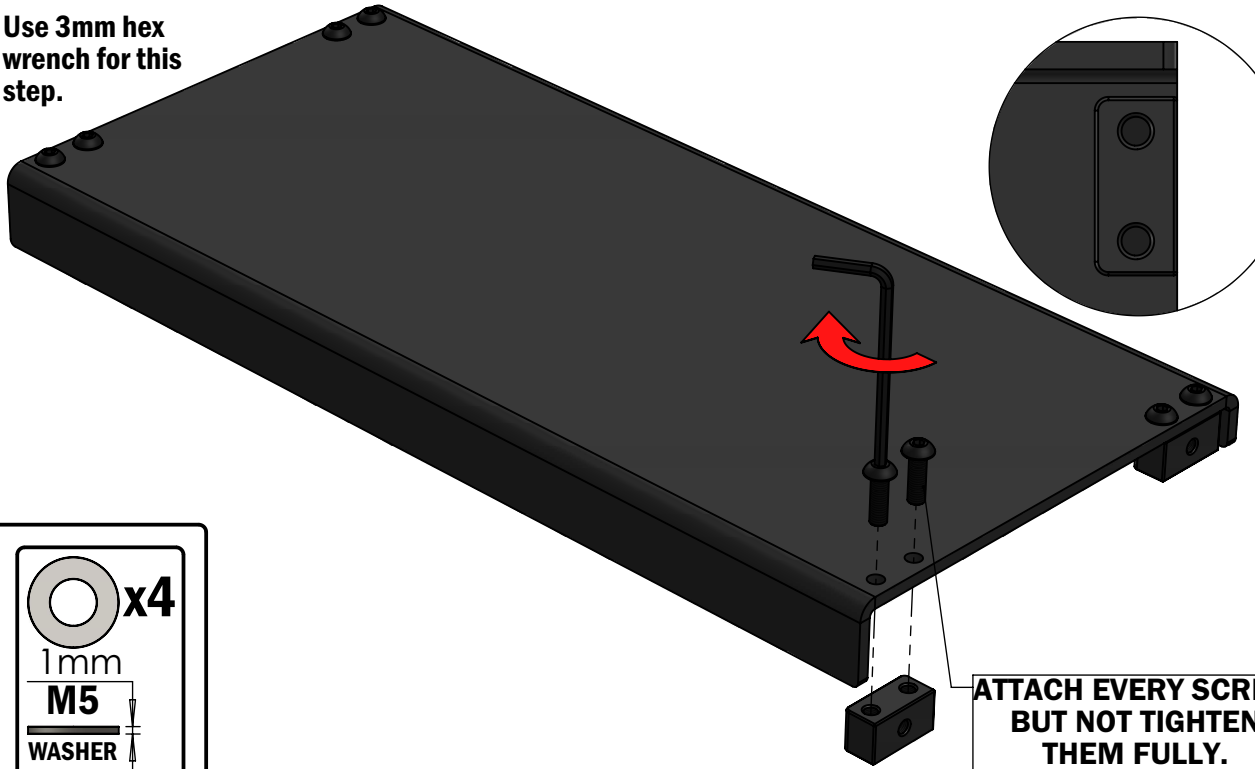
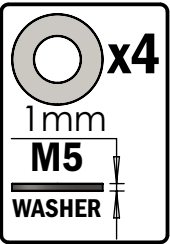
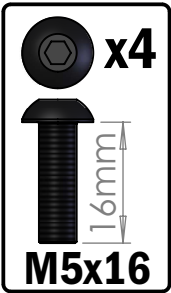


Use 3mm hex wrench for this step.

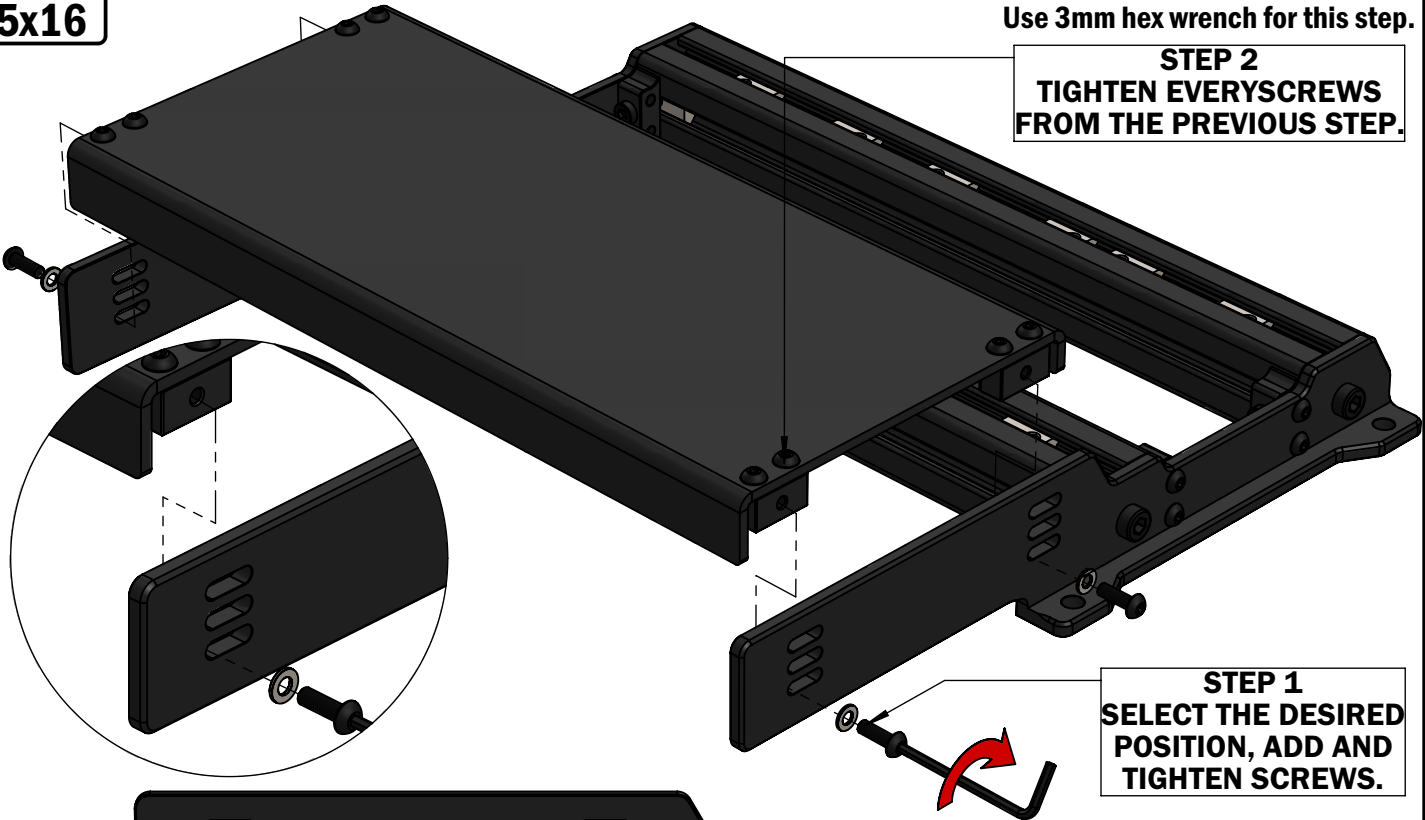


ATTACH EVERY SCREW BUT NOT TIGHTEN THEM FULLY.



Use 3mm hex wrench for this step.

STEP 2
TIGHTEN EVERYSCREWS FROM THE PREVIOUS STEP.



STEP 1
SELECT THE DESIRED POSITION, ADD AND TIGHTEN SCREWS.

