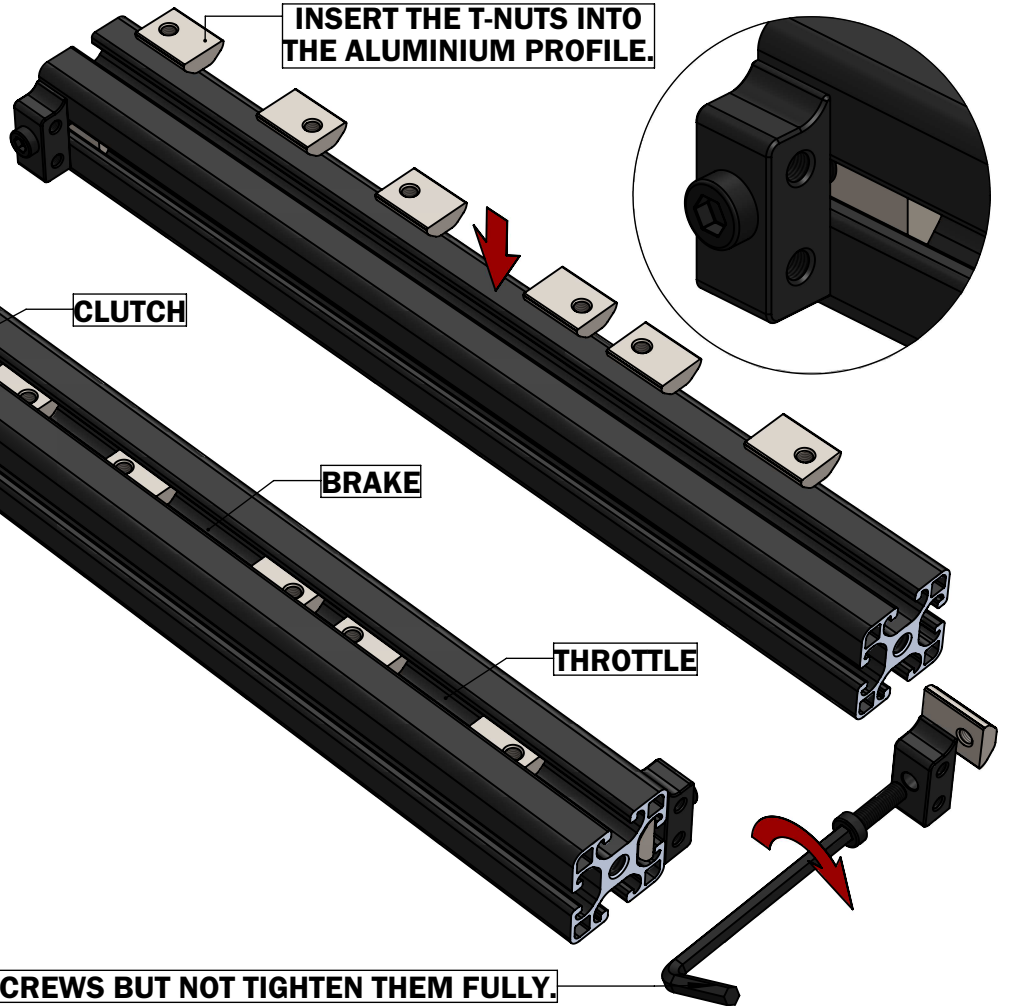


Use 5mm hex wrench for this step.



INSERT THE T-NUTS INTO THE ALUMINIUM PROFILE.

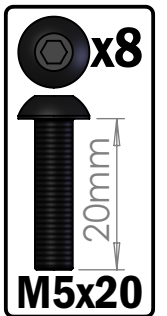
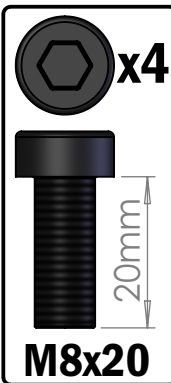
CLUTCH

BRAKE

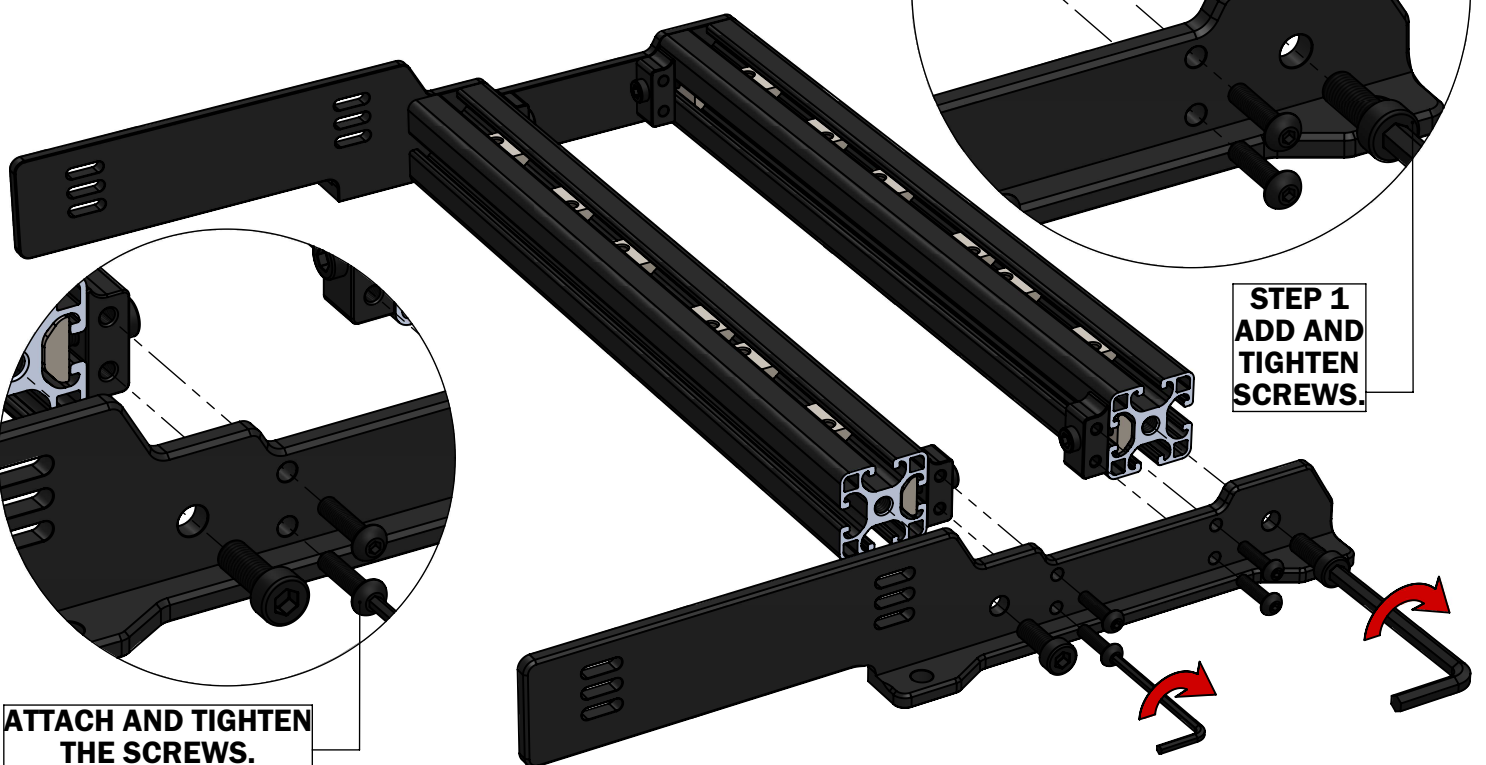
THROTTLE

ADD SCREWS BUT NOT TIGHTEN THEM FULLY.

You will need 3mm and 6mm hex wrench for this step.



STEP 2
TIGHTEN SCREWS FROM THE PREVIOUS STEP.



STEP 1
ADD AND TIGHTEN SCREWS.

ATTACH AND TIGHTEN THE SCREWS.