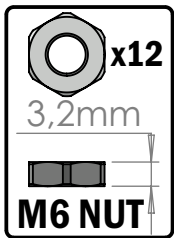
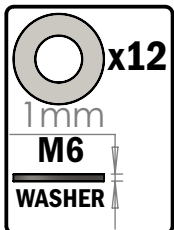
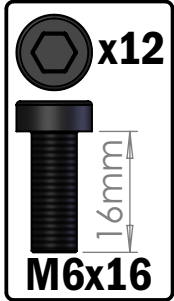
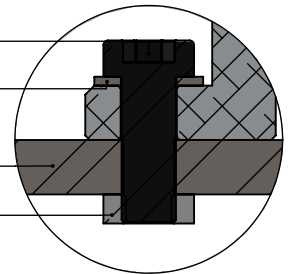


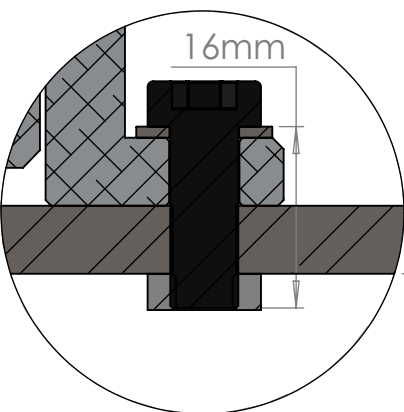
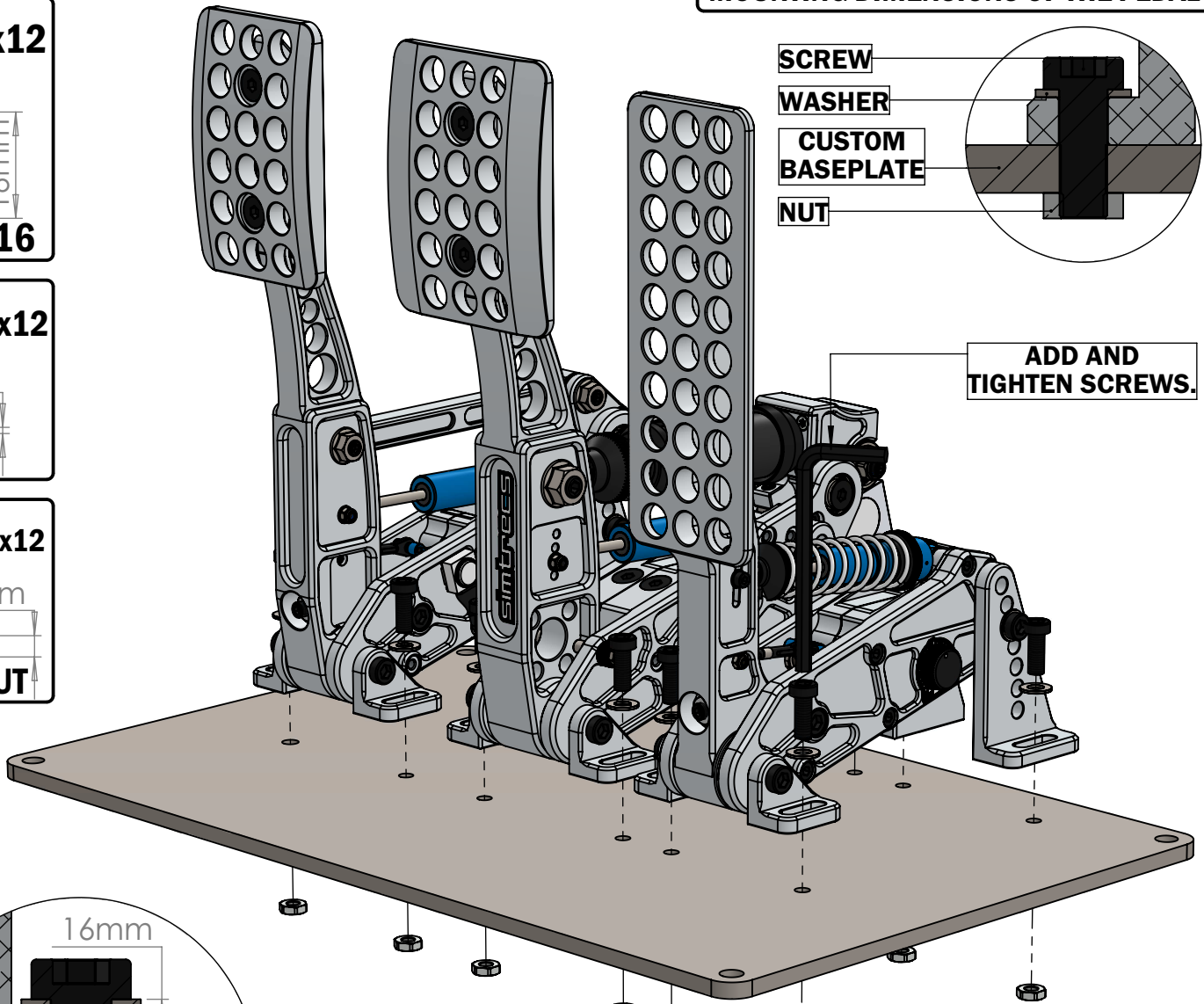
**MOUNTING DIMENSIONS OF THE PEDAL**



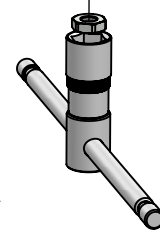
- SCREW
- WASHER
- CUSTOM BASEPLATE
- NUT



**ADD AND TIGHTEN SCREWS.**



6mm MAXIMUM BASEPLATE THICKNESS WITH M6x16 SCREW



**Use 5mm hex wrench and 10mm socket drive for this step.**