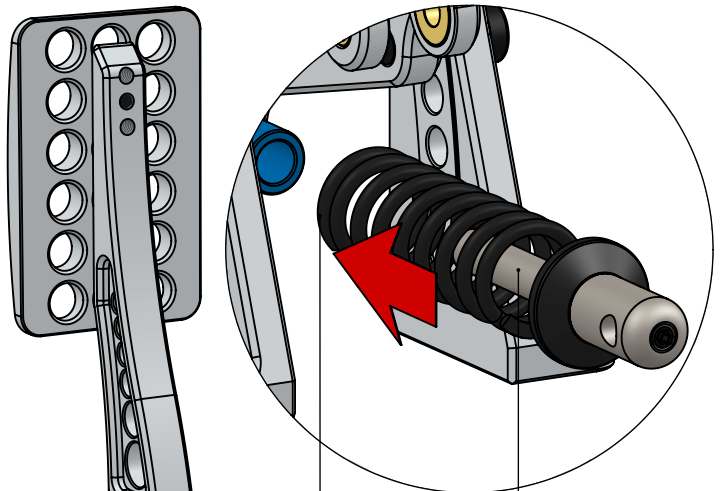
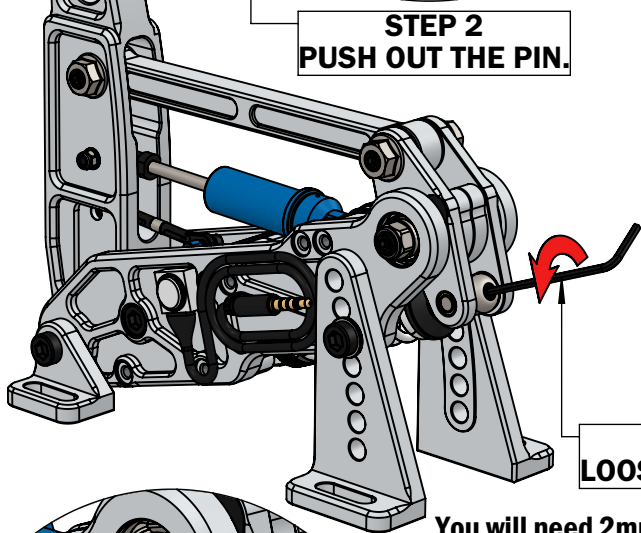


STEP 2
PUSH OUT THE PIN.



USE GREASE
HERE.

STEP 4
RE-ATTACH THE
DESIRED SPRING.

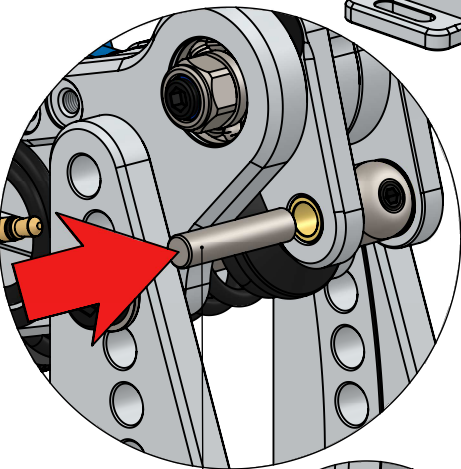


STEP 1
LOOSEN THE SCREW.

STEP 3
REMOVE
THE SPRING.

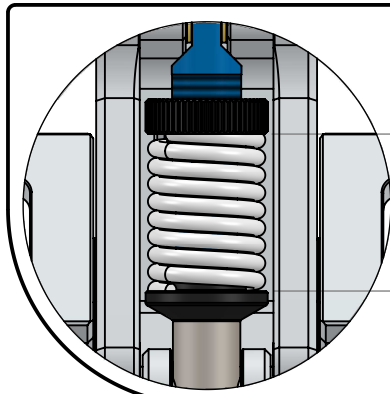
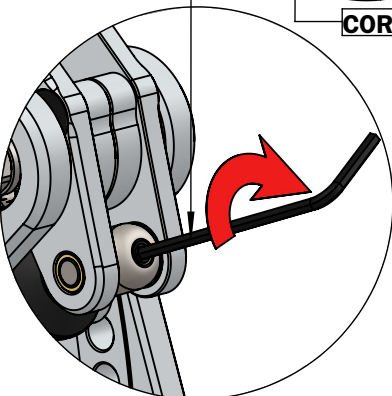
You will need 2mm hex wrench for this step.

The minimum compressed spring length always need to be higher than 28mm.

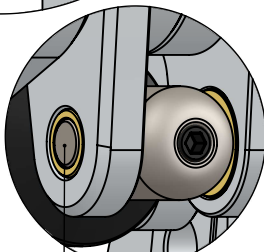


STEP 5
PUSH BACK
THE PIN.

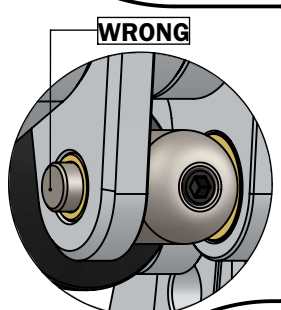
STEP 6
TIGHTEN
THE SCREW.



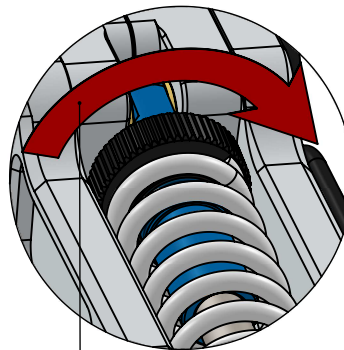
28mm



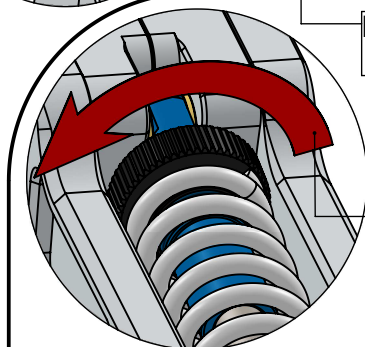
CORRECT



WRONG



DECREASE
PRELOAD



INCREASE
PRELOAD

