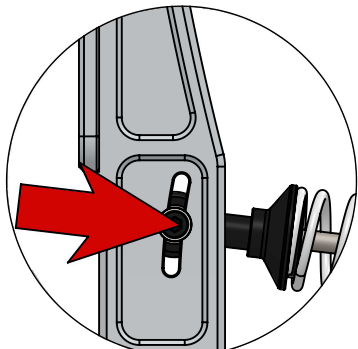
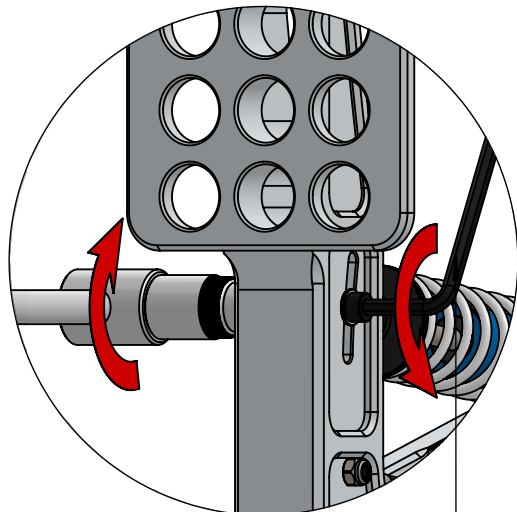


SOFTER PEDAL FEEL

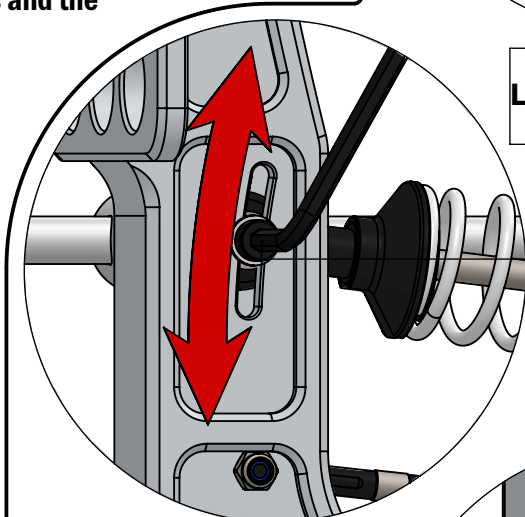


HARDER PEDAL FEEL

In the highest position, pedal has a stiffer characteristics and the required pedal force is higher, whilst in the lower position pedal has a softer characteristics and the required pedal force is lower.

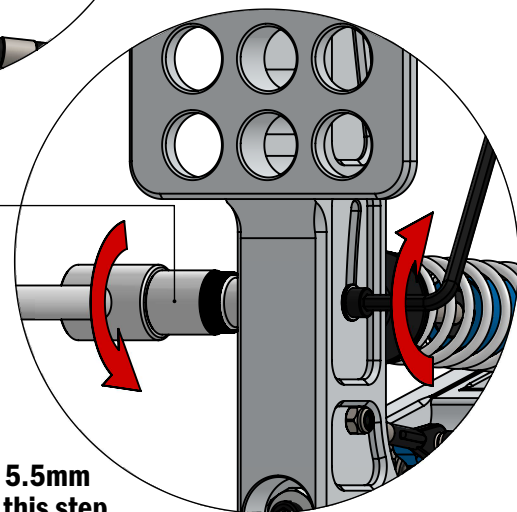


**STEP 1
LOOSEN THE SCREW
AND THE NUT.**

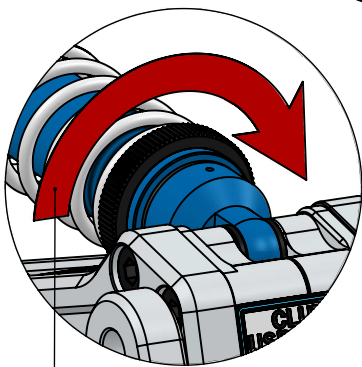


**STEP 2
SLIDE THE ADJUSTMENT
BOLT TO THE DESIRED
POSITION.**

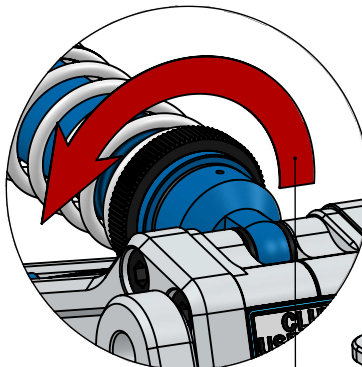
**STEP 3
TIGHTEN THE SCREW
AND THE NUT.**



Use 2.5mm hex wrench and 5.5mm socket drive for this step.

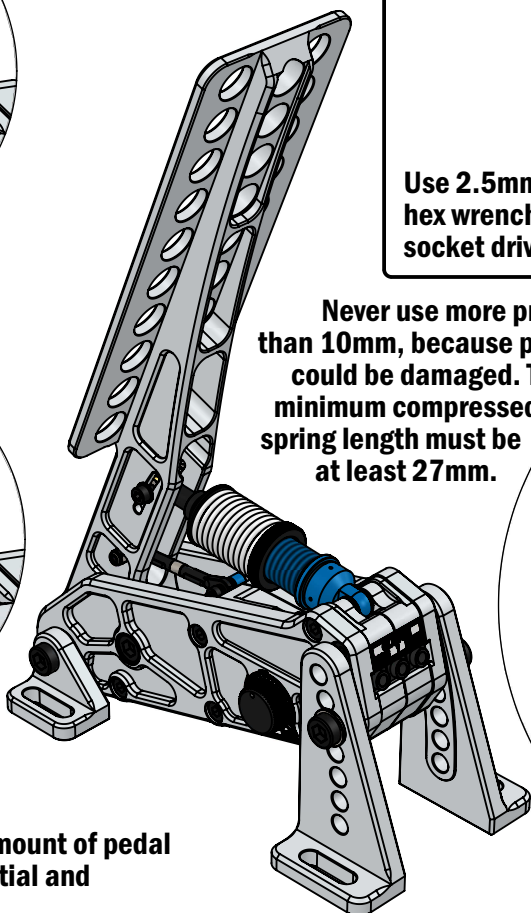
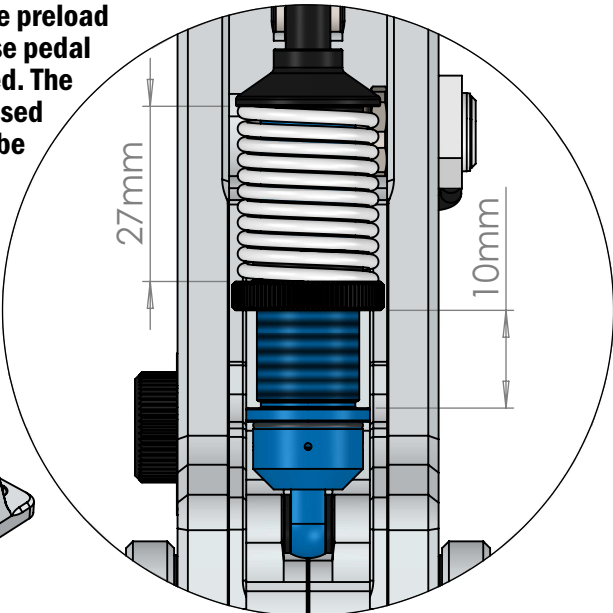


**INCREASE
PRELOAD**



**REDUCE
PRELOAD**

Never use more preload than 10mm, because pedal could be damaged. The minimum compressed spring length must be at least 27mm.



More preload increases the amount of pedal force, it increases both the initial and the total amount of force.